

star  ***/sport***

PARTS CATALOGUE - EXPORT

NOTICE

The description and illustrations in this booklet are not to be taken as binding on the manufacturers. The essential features of the type described and illustrated herein remains unaltered, TVS MOTOR COMPANY LIMITED, reserves the right to carry out any moment, without being obliged to bring this booklet up-date modifications, on the vehicle, parts or accessories, as may be convenient and necessary.

FOREWORD

We have pleasure in presenting the spare parts Catalogue for TVS StaR, DLX, City, City Refresh & StaR Sport/DLX.

The catalogue has been specifically designed to assist you in selecting the correct parts to maintain the vehicle in the best possible condition.

TVS MOTOR COMPANY, Genuine Parts have been subjected to stringent standards of quality control to ensure long life of the vehicle. It is therefore necessary that only TVS Genuine Parts are used. In continuous efforts to improve the performance and efficiency of the vehicle, design specifications, diagram / illustrations and part numbers can change without notice. Consequently, the description in this spare parts catalogue cannot therefore be final and binding on us.

While ordering spare parts ensure that correct part numbers, parts description and quantity are clearly mentioned.

Please note that the drawings and the illustrations are for ready reference of spare part numbers and description only. It is not designed to be used as an assembly or servicing reference manual. For servicing please use "TVS STAR SERVICE MANUAL".

This parts catalogue is exclusively for "TVS MOTOR COMPANY's" Authorised Outlets:- AMD / AD / ASC /APS.

In case of any assistance, please contact us.

TVS MOTOR COMPANY LIMITED
Parts Business

INDEX

CYLINDER HEAD COMP.

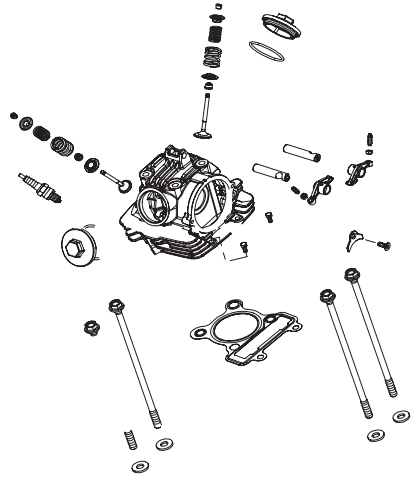


FIG.No.01
PAGE No.09

CAMSHAFT ASSEMBLY

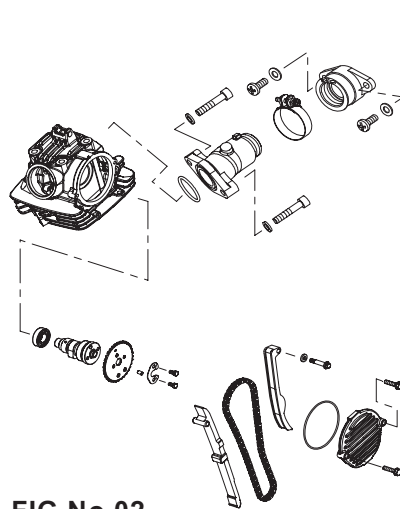


FIG.No.02
PAGE No.10

CYLINDER BLOCK & CRANKSHAFT ASSY.

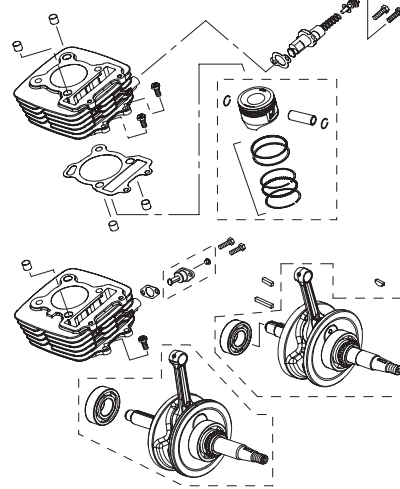


FIG.No.03
PAGE No.12

CRANKCASE ASSEMBLY

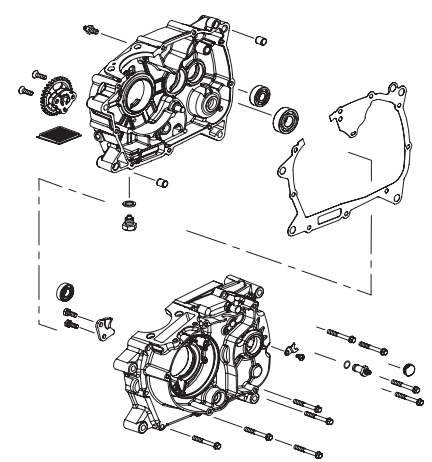


FIG.No.04
PAGE No.14

COVER CLUTCH ASSEMBLY

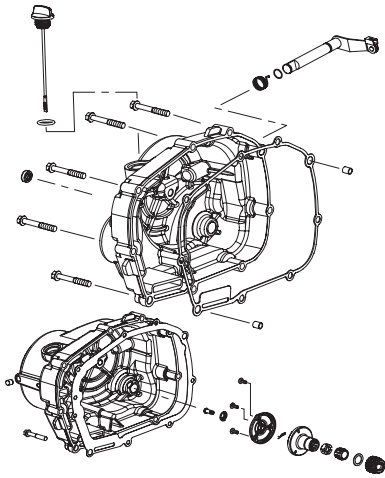


FIG.No.05
PAGE No.16

CLUTCH ASSEMBLY

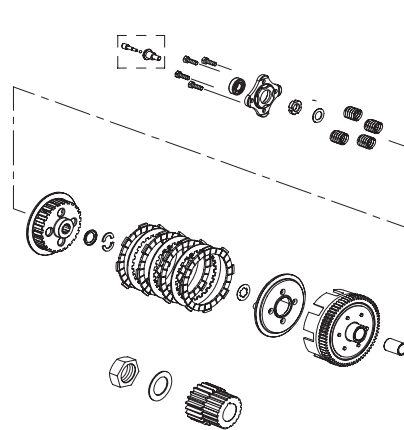


FIG.No.06
PAGE No.17

MAGNETO ASSEMBLY

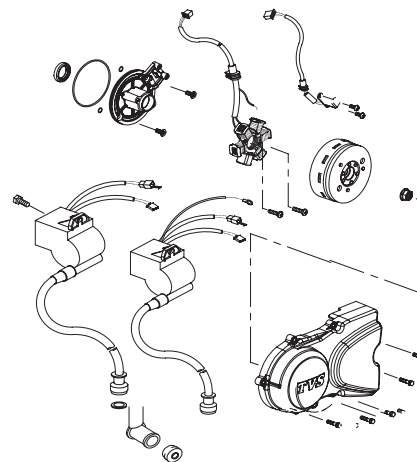


FIG.No.07
PAGE No.18

MAGNETO ASSEMBLY (ES)

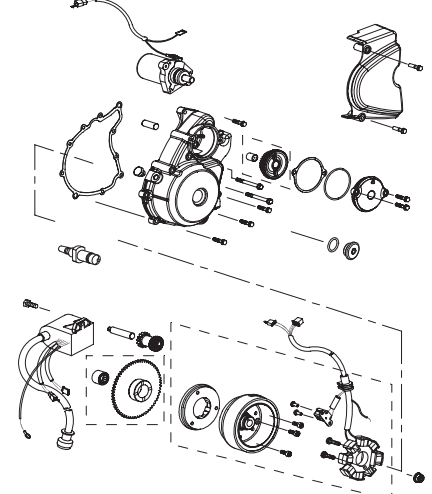


FIG.No.7A
PAGE No.19

INDEX

GEAR SHIFT ASSEMBLY

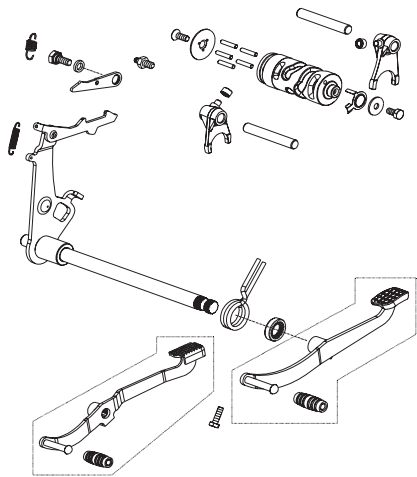


FIG.No.08
PAGE No.20

KICKSTARTER ASSEMBLY

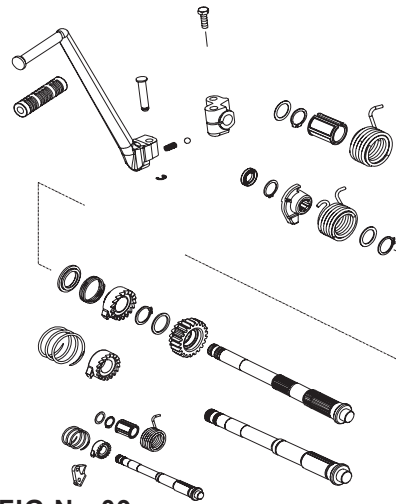


FIG.No.09
PAGE No.21

TRANSMISSION ASSEMBLY

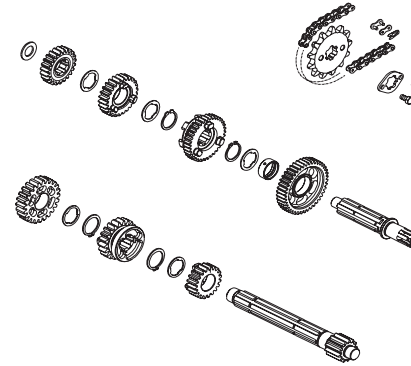


FIG.No.10
PAGE No.23

AIR CLEANER ASSEMBLY (KS)

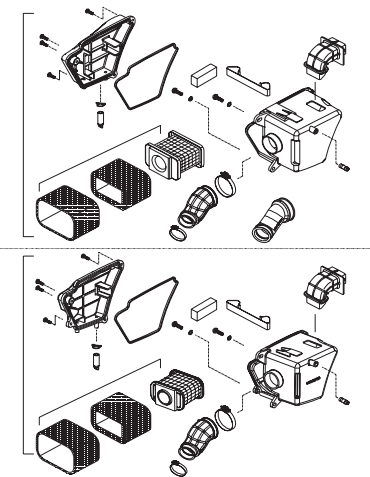


FIG.No.11
PAGE No.24

AIR CLEANER ASSEMBLY (ES)

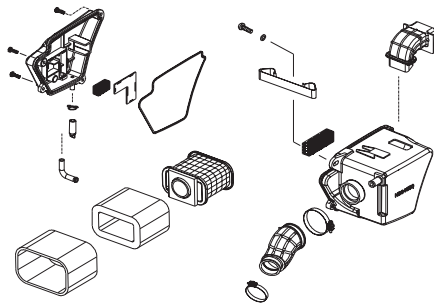


FIG.No.11A
PAGE No.25

AIR CLEANER ASSEMBLY-SAI

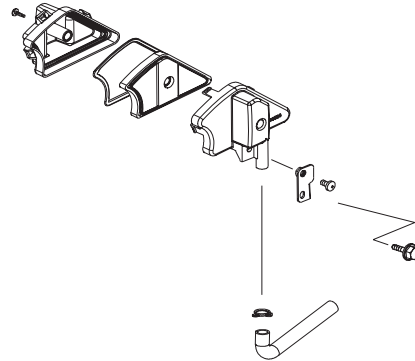


FIG.No.11B
PAGE No.26

SECONDARY AIR INJECTION ASSY.

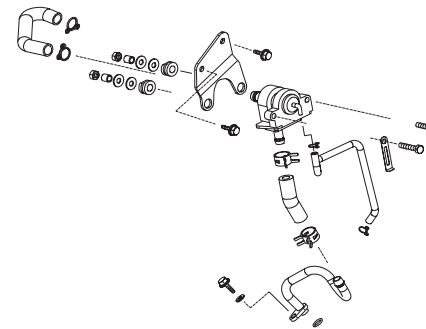


FIG.No.12
PAGE No.27

CARBURETTOR ASSEMBLY

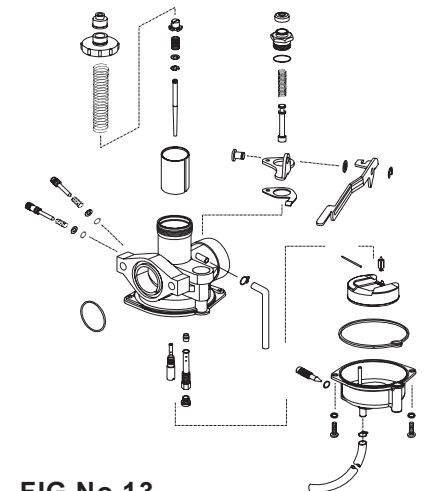


FIG.No.13
PAGE No.28

INDEX

CARBURETTOR ASSY. (KEIHIN MAKE)

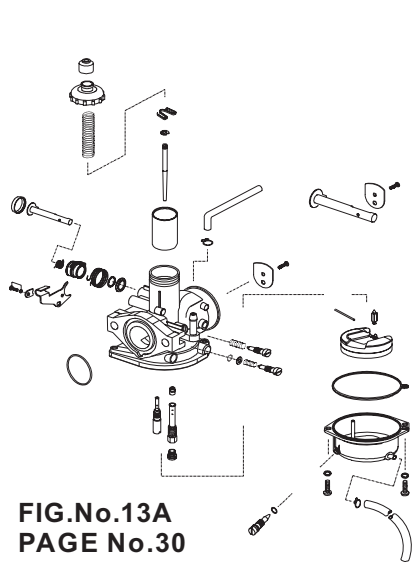


FIG.No.13A
PAGE No.30

MUFFLER ASSEMBLY

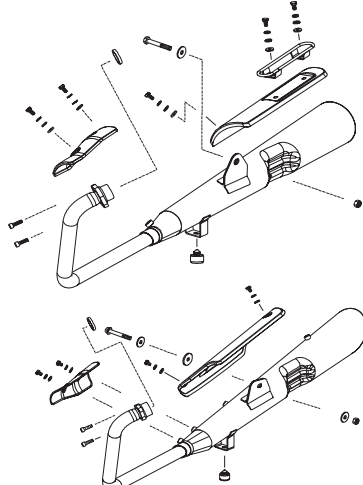


FIG.No14
PAGE No.32

FRAME ASSEMBLY

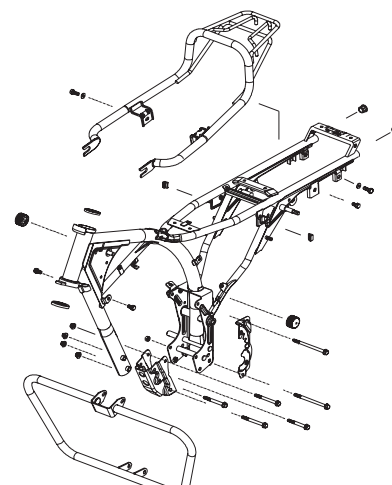


FIG.No.15
PAGE No.33

FRAME ASSEMBLY DLX & CITY

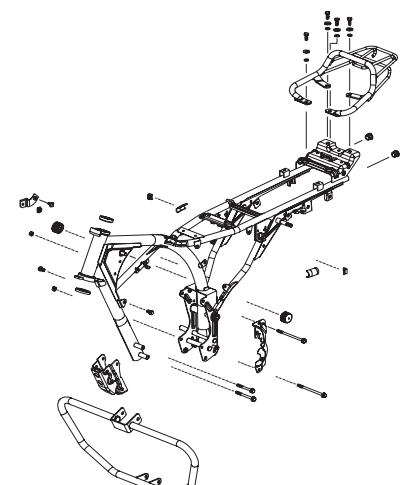


FIG.No.15A
PAGE No.34

CENTER STAND & FOOTREST ASSY.

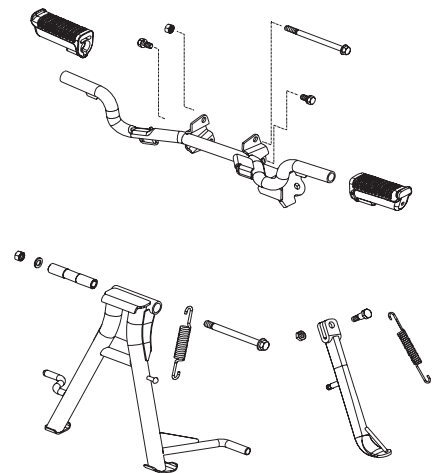


FIG.No.16
PAGE No.35

PILLION FOOTREST ASSEMBY LH, RH

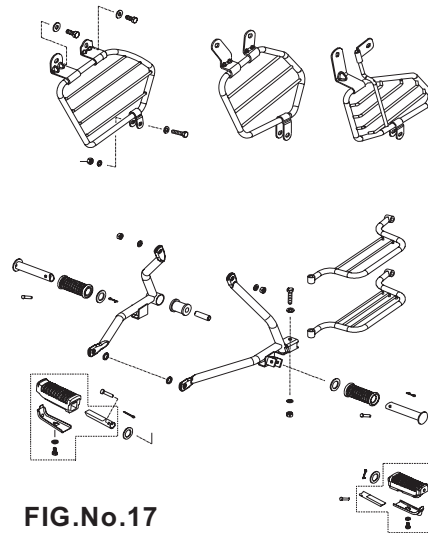


FIG.No.17
PAGE No.36

HANDLE BAR ASSEMBLY

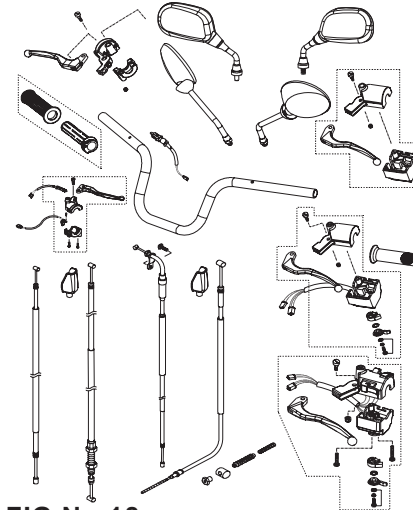


FIG.No.18
PAGE No.37

HANDLE HOLDER ASSEMBLY

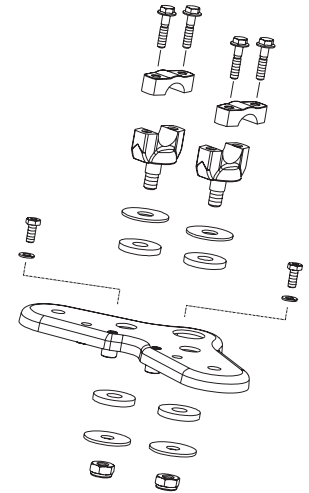


FIG.No.19
PAGE No.39

INDEX

REAR BRAKE ASSEMBLY

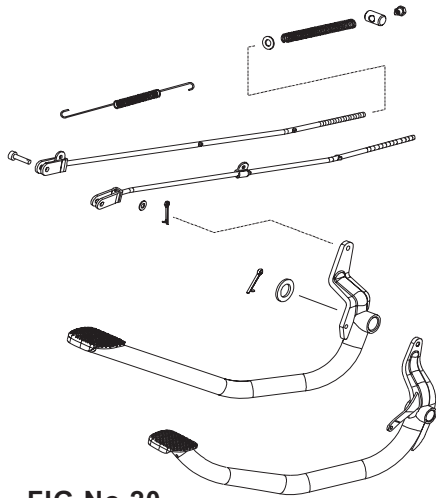


FIG.No.20
PAGE No.40

HEADLAMP ASSEMBLY

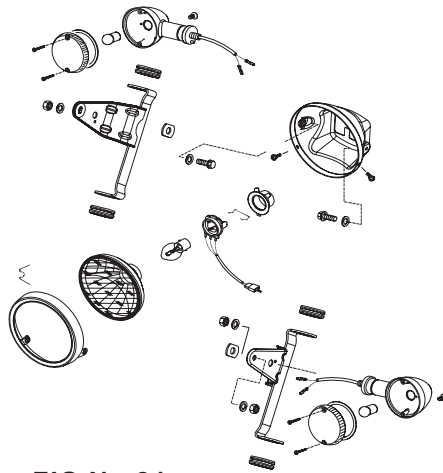


FIG.No.21
PAGE No.41

HEADLAMP ASSEMBLY (CITY)

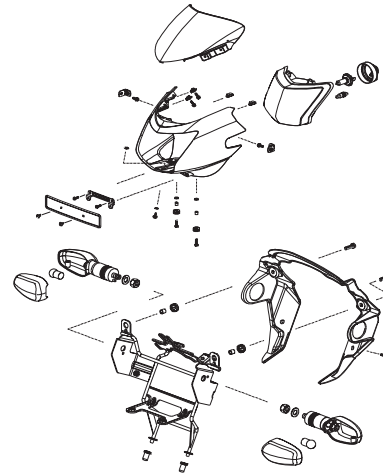


FIG.No.21A
PAGE No.42

COVER FRAME & SEAT ASSEMBLY

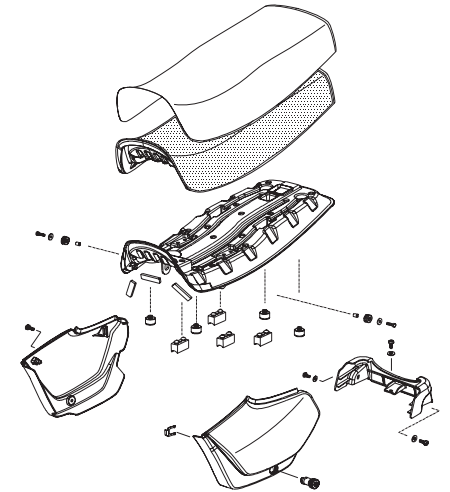


FIG.No.22
PAGE No.44

COVER FRAME & SEAT ASSEMBLY

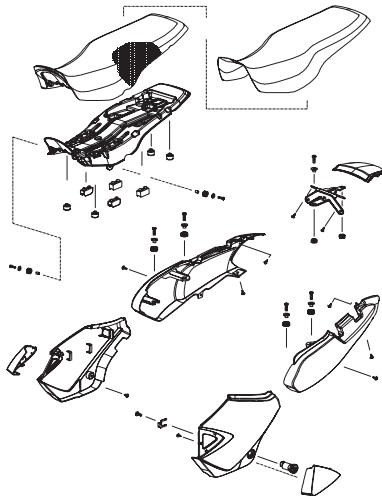


FIG.No.22A
PAGE No.44

FUEL TANK ASSEMBLY

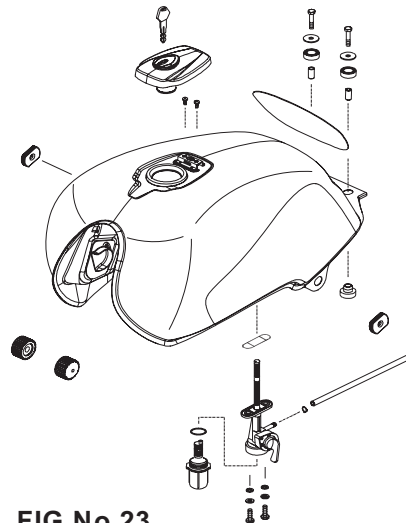


FIG.No.23
PAGE No.46

SPEEDOMETER ASSEMBLY

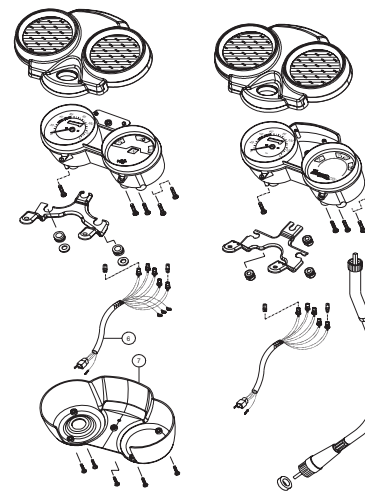


FIG.No.24
PAGE No.47

SPEEDOMETER ASSEMBLY

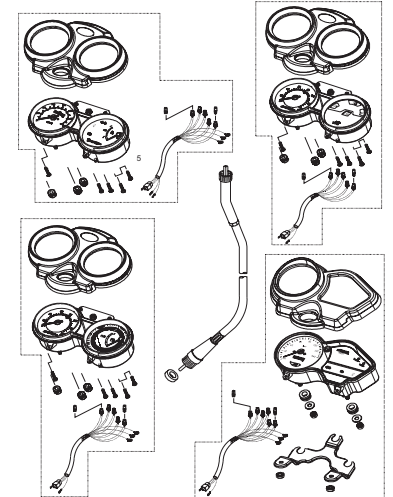


FIG.No.24A
PAGE No.48

INDEX

UNDER BRACKET ASSEMBLY

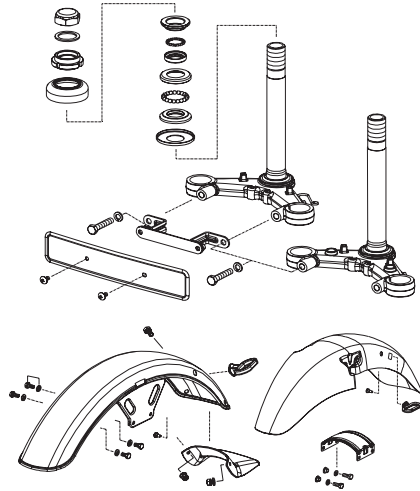


FIG.No.25
PAGE No.49

FRONT FORK ASSEMBLY

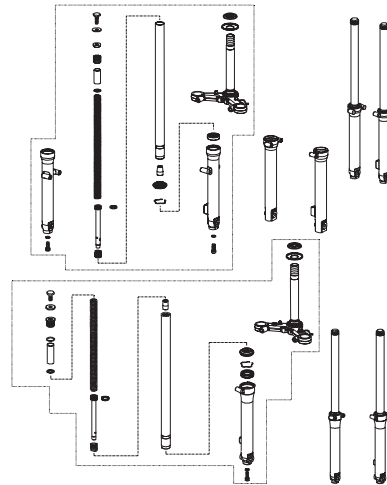


FIG.No.26
PAGE No.51

FRONT WHEEL ASSEMBLY

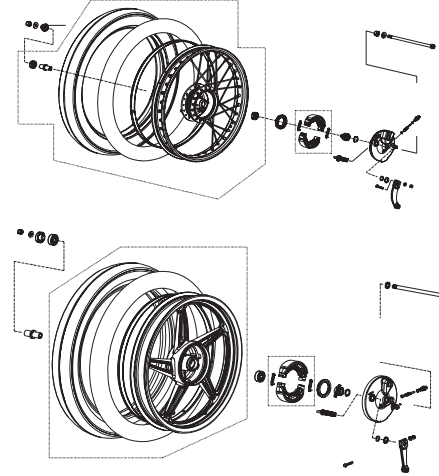


FIG.No.27
PAGE No.53

REAR WHEEL ASSEMBLY (SPOKE)

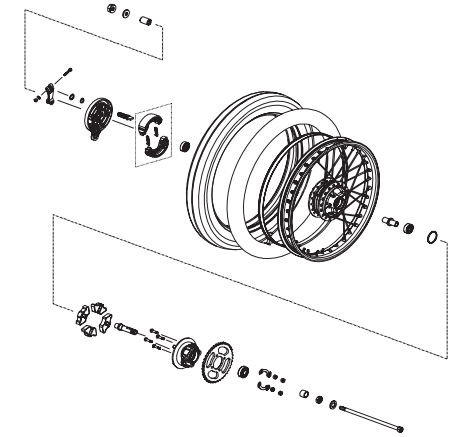


FIG.No.28
PAGE No.55

REAR WHEEL ASSEMBLY (ALLOY)

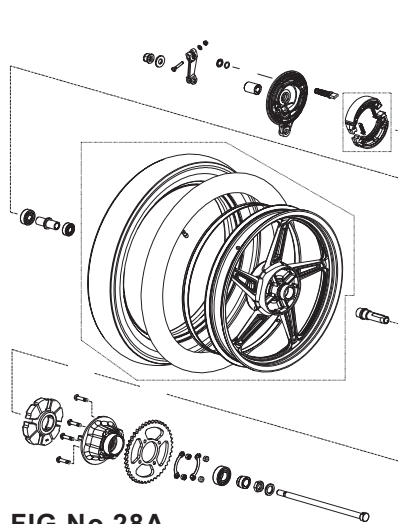


FIG.No.28A
PAGE No.57

WIRING HARNESS & BATTERY ASSY.

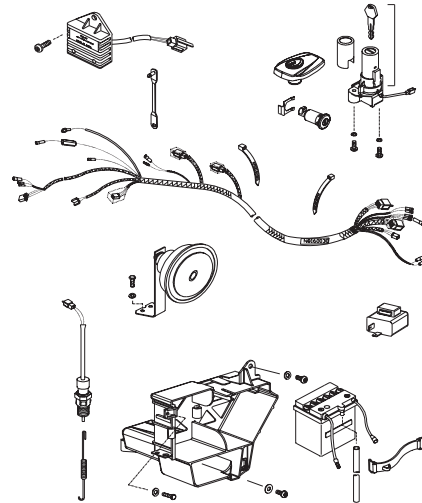


FIG.No29
PAGE No.59

WIRING HARNESS & BATTERY ASSY.

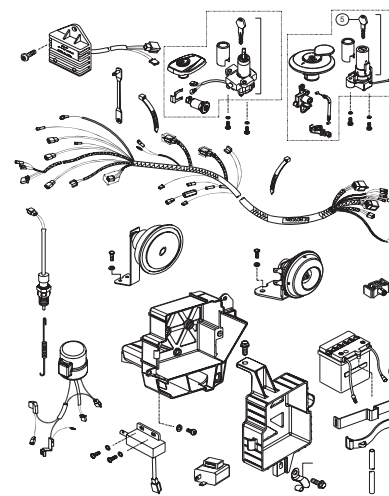


FIG.No29A
PAGE No.60

REAR COMBINATION LAMP ASSY.

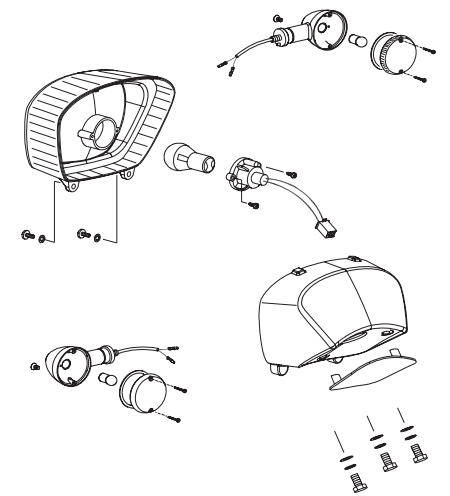


FIG.No.30
PAGE No.62

INDEX

REAR COMBINATION LAMP ASSY.

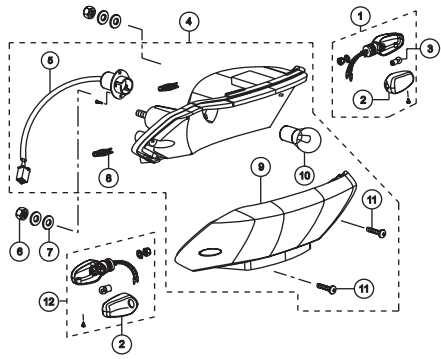


FIG.No.30A
PAGE No.63

REAR FENDER ASSEMBLY

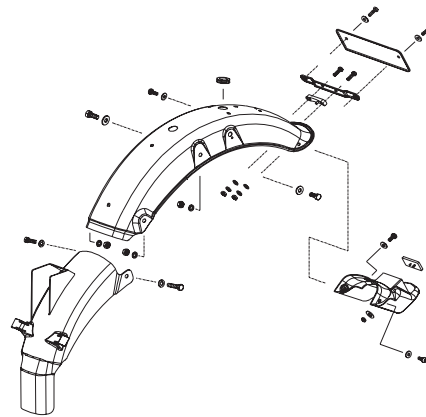


FIG.No.31
PAGE No.64

REAR FENDER ASSEMBLY

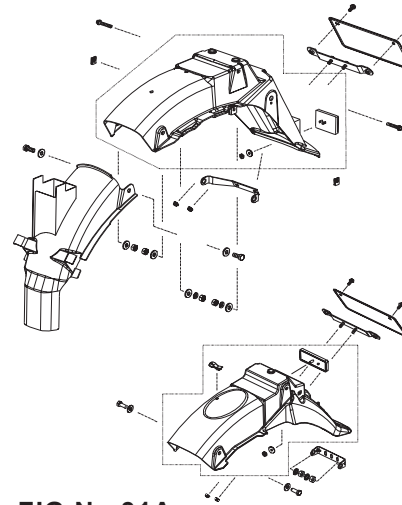


FIG.No.31A
PAGE No.65

SWING ARM ASSEMBLY

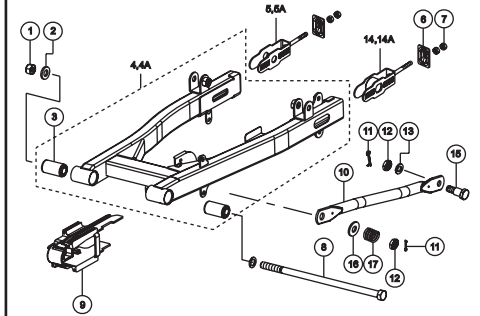


FIG.No.32
PAGE No.66

SHOCK ABSORBER & CHAIN COVER

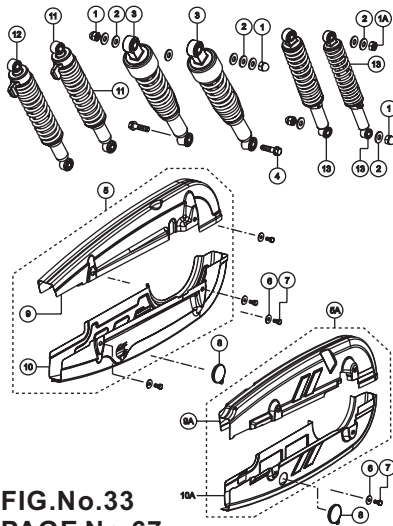


FIG.No.33
PAGE No.67

TOOL KIT

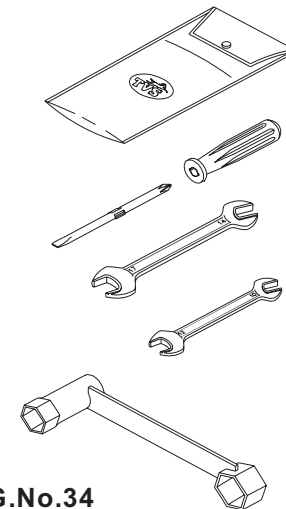


FIG.No.34
PAGE No.68

INDEX

KIT & KIT CONTENTS

PAINTED PARTS



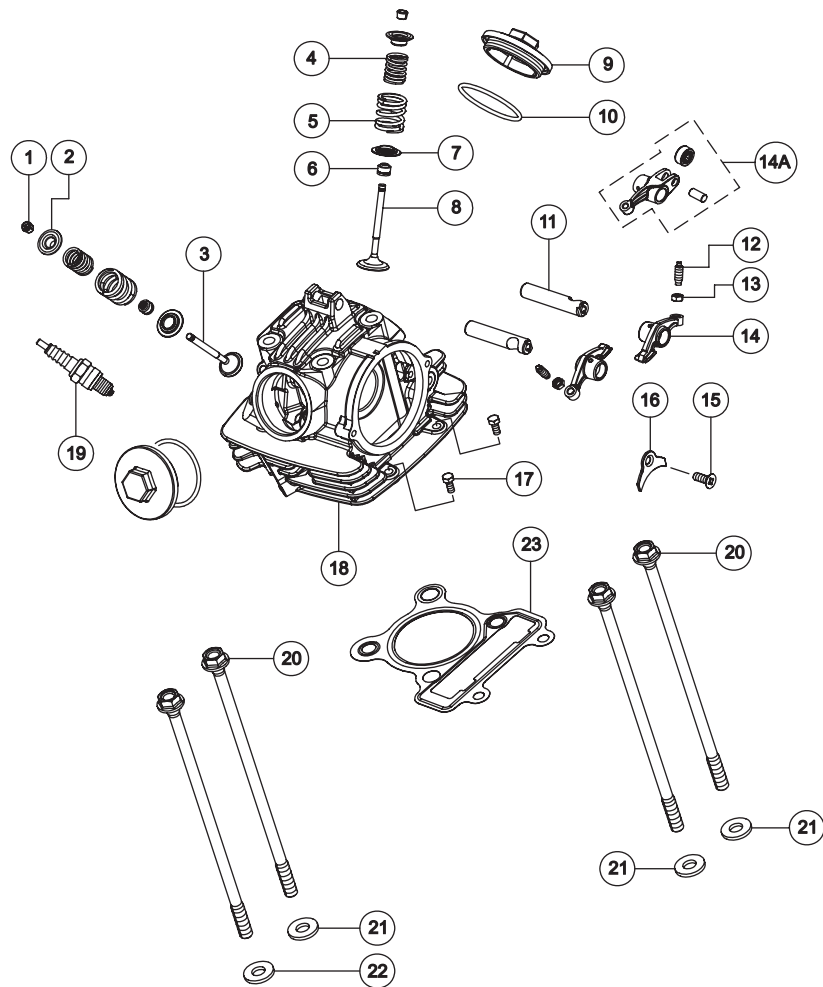
PAGE No.69

PAGE No.73

ABBREVIATIONS

N.I	:	NOT ILLUSTRATED
N.S	:	NOT SERVICED
KS	:	KICK START
ES	:	ELECTRIC START
STD	:	STANDARD
O/S	:	OVER SIZE
13T	:	13 TEETH
TSL	:	TURN SIGNAL LAMP
LH	:	LEFT HAND SIDE
RH	:	RIGHT HAND SIDE
HL	:	HEAD LAMP
BRKT	:	BRACKET
MTG	:	MOUNTING
F.IND	:	FUEL INDICATOR
FGP	:	FUEL GUAGE PROVISION
FWD	:	FORWARD, ie LOOKING BACK FROM RIDER POSITION

FIG.No. 01



CYLINDER HEAD ASSEMBLY

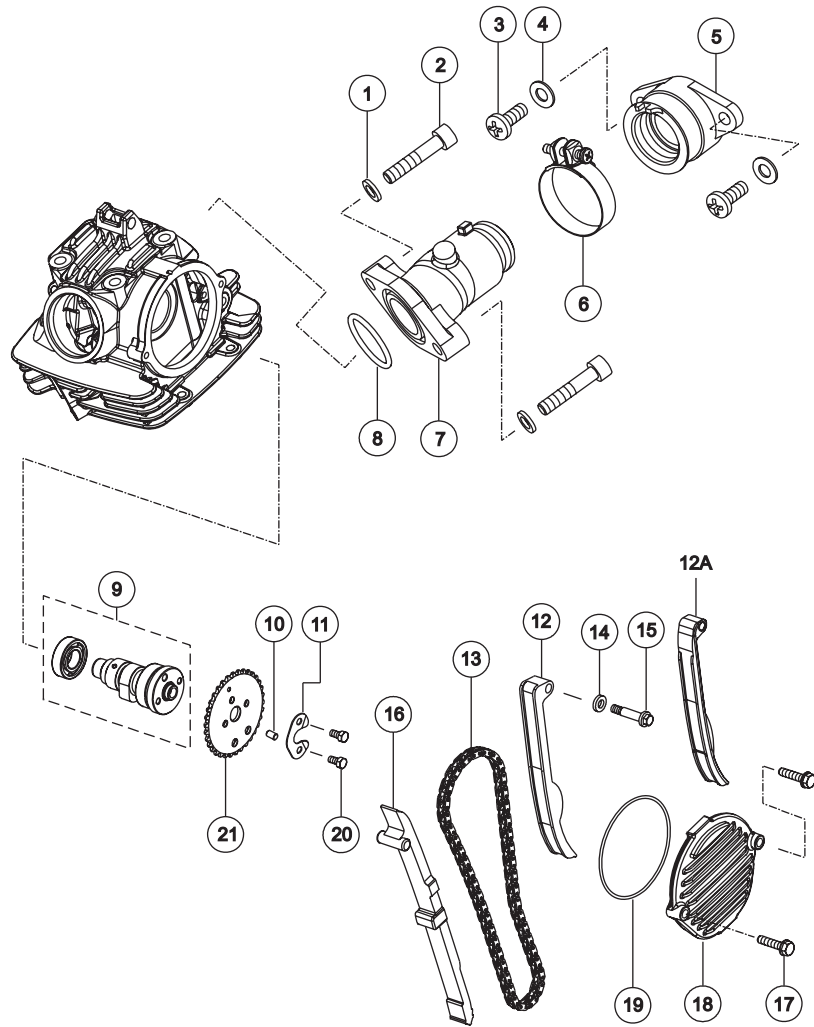
FIG.NO. 01

CYLINDER HEAD ASSEMBLY

REF. NO.	PART NO.	DESCRIPTION	NO. OFF				REMARKS
			STAR BASIC	STAR SPORT		REF.	
				OLD	ALLOY		
1	S1010320	COTTER VALVE	4	4	4	4	
2	N2011040	RETAINER VALVE SPRING	2	2	2	2	
3	N2010620	VALVE EXHAUST	1	1	1	1	
4	N2010340	SPRING VALVE INNER	2	2	2	2	
5	N2010350	SPRING VALVE OUTER	2	2	2	2	
6	M1010620	SEAL VALVE STEM OIL	2	2	2	2	
7	K3010680	SEAT VALVE SPRING	2	2	2	2	
8	N3011140	VALVE INTAKE	1	1	1	1	
9	N8010240	CAP INSPECTION HOLE	2				
9A	N8010700	CAP INSPECTION HOLE		2	2	2	
10	N8010260	O RING CAP INSPECTION HOLE	2	2	2	2	
11	N8010350	SHAFT VALVE ROCKER ARM	2	2	2	2	
12	S1010240	SCREW TAPPET ADJUSTING	2	2	2	2	
13	S1010250	NUT TAPPET ADJUSTING	2	2	2	2	
14	N2010320	ARM VALVE COMP. ROCKER	2				
14A	N8010080	ARM VALVE ROCKER ASSY.		2	2	2	
15	N8200090	CRR CSK SCREW M6x16	1	1	1	1	
16	N8010340	STOPPER ROCKER ARM SHAFT	1	1	1	1	
17	N5200340	HEX SCREW M6x16	2	1	1	1	
18	N8010230	HEAD CYLINDER COMP. (WITH SAI)	1				
18A	N8321310	HEAD CYLINDER COMP. (W/O SAI)	1*				
18B	N8010460	HEAD CYLINDER COMP.		1	1	1	
19	N2180040	SPARK PLUG (UR4 AC)	1	1	1	1	
20	N8010310	BOLT CYLINDER HEAD	4	4	4	4	
21	S1010130	WASHER CYLINDER HEAD UNIT	3	3	3	3	
22	M1010360	GASKET CYLINDER HEAD NUT	1	1	1	1	
23	N8010290	GASKET CYLINDER HEAD	1	1	1	1	

* - APPLICABLE FOR VEHICLES PRODUCED BEFORE APRIL 2005

FIG.No. 02



CAMSHAFT ASSEMBLY

FIG.NO. 02

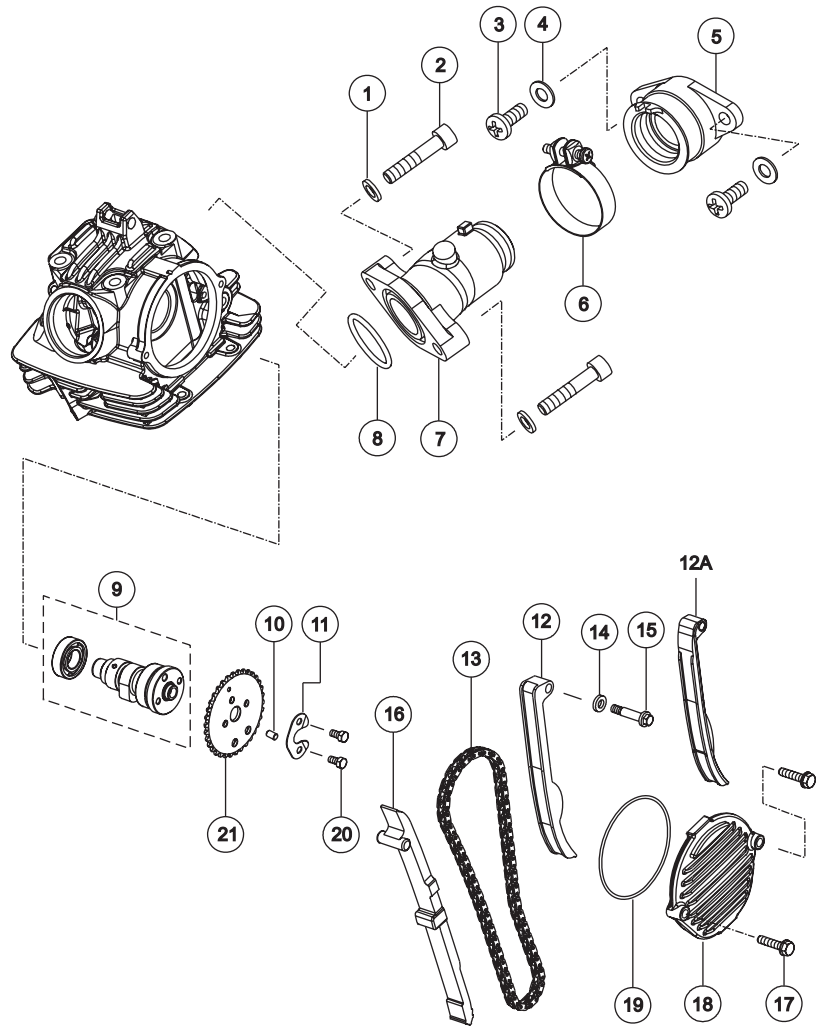
CAMSHAFT ASSEMBLY

REF. NO.	PART NO.	DESCRIPTION	NO. OFF				REMARKS
			STAR BASIC	STAR SPORT		REF.	
				OLD	ALLOY		
1	8200130	PUNCHED WASHER 6.5x11x1.6	2	2	2	2	
2	A200050	HEX SH. HEAD CAP SCREW M6x25	2	2	2	2	
3	0331748	CRR PAN HEAD SCREW M6x16	2	2	2	2	
4	0335578	PUNCHED WASHER 6.5x13x1	2	2	2	2	
5	N2041400	ADOPTER COMP. CARBURETTOR	1	1	1	1	SPACO CARB.
5A	N8040700	ADOPTER COMP. CARBURETTOR		1	1	1	KEIHIN CARB.
6	A054190	HOSE CLIP 35	1	1	1	1	
7	N8040430	PIPE INTAKE (W/O SAI)	1				#
7A	N8040760	PIPE INTAKE		1	1	1	KEIHIN CARB.
7B	N3040340	PIPE INTAKE	1	1	1	1	SPACO CARB.
8	N2040940	O RING PIPE INTAKE	1	1	1	1	
9	N8010440	CAMSHAFT ASSY.	1				
9A	N8010480	CAMSHAFT ASSY.		1	1	1	
10	M1010490	PIN SPROCKET KNOCK	1	1	1	1	
11	N5010400	WASHER SPROCKET	1	1	1	1	
12	N8010330	TENSIONER CAM CHAIN KS	1	1	1	1	
12A	N8010690	TENSIONER CAM CHAIN ES				1	
13	N5010790	CAM CHAIN (ROLLER CHAIN)88LINK	1	1	1	1	
14	N2010960	WASHER CAM CHAIN TENSIONER	1	1	1	1	
15	N2010710	BOLT CAM CHAIN TENSIONER	1	1	1	1	
16	N8010320	GUIDE CAM CHAIN	1	1	1	1	
17	N5200340	HEX SCREW M6x16	2	2	2	2	
18	N8010280	COVER CYLINDER HEAD LH	1				
18A	N8010500	COVER CYLINDER HEAD LH		1	1	1	

* ' - APPLICABLE ONLY FOR THE VEHICLE FITED WITH SPACO CARBURETTOR

' - APPLICABLE ONLY VEHICLE PRODUCED BEFORE APRIL 2005

FIG.No. 02



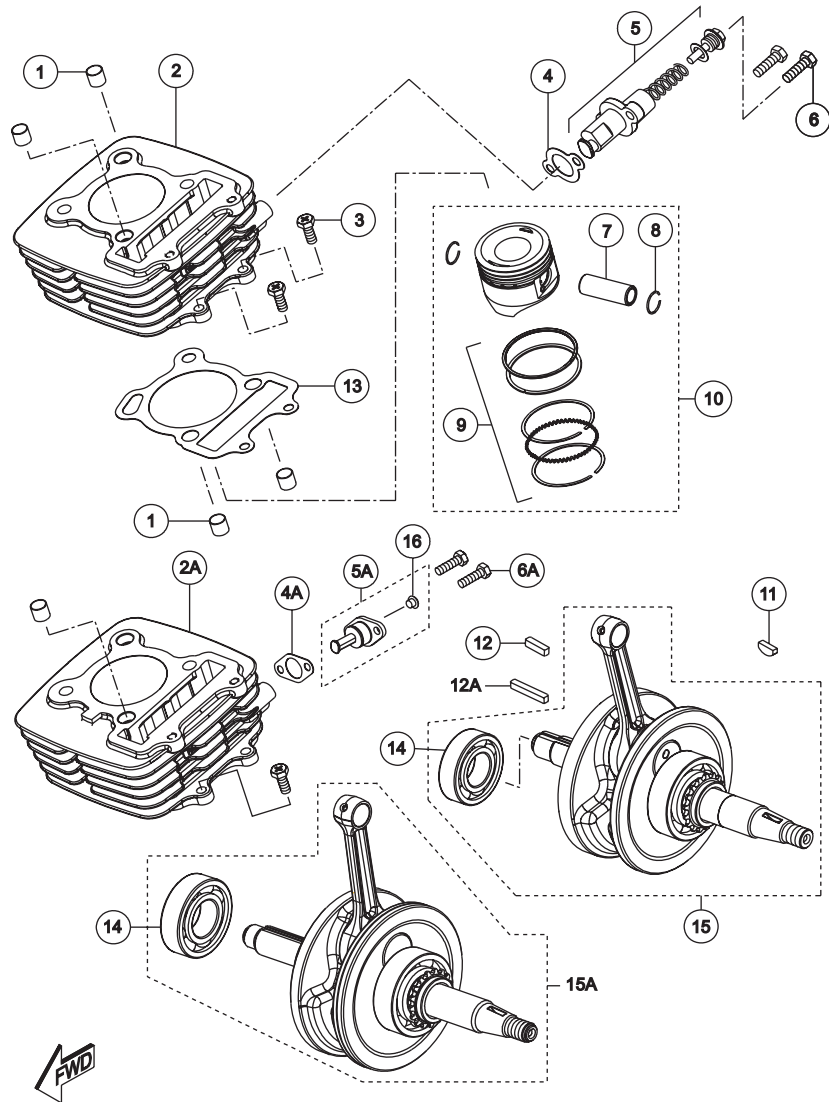
CAMSHAFT ASSEMBLY

FIG.NO. 02

CAMSHAFT ASSEMBLY

REF. NO.	PART NO.	DESCRIPTION	NO. OFF				REMARKS
			STAR BASIC	STAR SPORT			
				OLD	ALLOY	REF.	
19	N5010080	O RING COVER CYLINDER HEAD	1				
19A	N3010550	O RING COVER CYLINDER HEAD		1	1	1	
20	M1200940	HEX SCREW M5x10	2	2	2	2	
21	N5010320	SPROCKET 34T CAMSHAFT	1	1	1	1	

FIG.No. 03



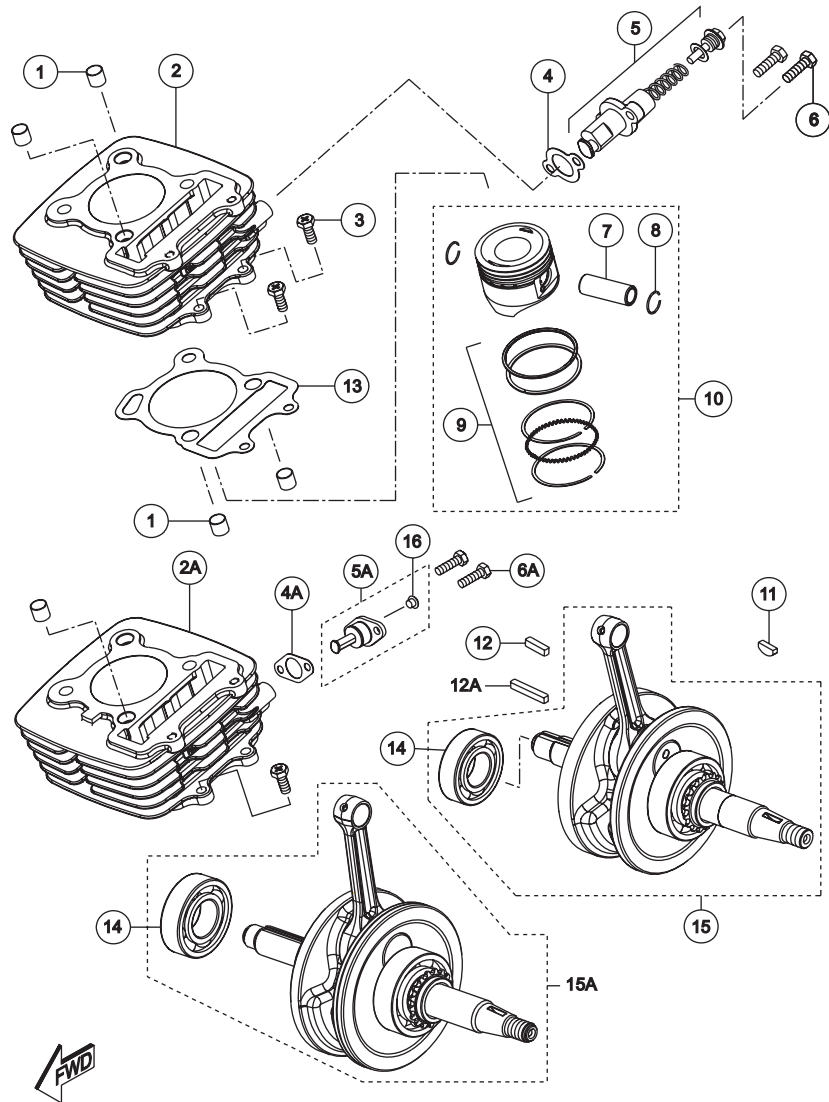
CYLINDER BLOCK & CRANKSHAFT ASSY.

CYLINDER BLOCK & CRANKSHAFT ASSY.

REF. NO.	PART NO.	DESCRIPTION	NO. OFF				REMARKS
			STAR BASIC	STAR SPORT		REF.	
				OLD	ALLOY		
1	S1200270	TUBULAR DOWEL 11x12	4	4	4	4	
2	N8010180	CYLINDER BLOCK KS	1	1	1	1	
2A	N8010660	CYLINDER BLOCK ES				1	
3	M1200520	HEX SCREW M6x16	2	2	2	2	
4	N5010470	ADJUSTER ASSY. TENSIONER KS	1	1	1	1	
4A	N3011600	GASKET ADJUSTER TENSIONER ES				1	
5	N5010470	ADJUSTER ASSY. TENSIONER KS	1	1	1	1	
5A	N3011370	ADJUSTER TENSIONER ASSY. ES				1	
6	420462700	HEX SCREW M6x20	2	2	2		
6A	M1200610	HEX SCREW M6x20				2	
7	N5010550	PIN PISTON	1	1	1	1	
8	N2200340	CIRCLIP	2	2	2	2	
9	N5320440	RING SET PISTON STD	1	1	1	1	
9A	N5320450	RING SET PISTON I O/S	1	1	1	1	
9B	N5320460	RING SET PISTON II O/S	1	1	1	1	
10	N5320410	PISTON KIT STD	1	1	1	1	
10A	N5320420	PISTON KIT I O/S	1	1	1	1	
10B	N5320430	PISTON KIT II O/S	1	1	1	1	
11	420702000	WOODRUFF KEY	1	1	1	1	
12	N3080170	KEY 4x4x15	1	1			
12A	N8200180	PARALLEL KEY B4x4x30	1		1	1	
13	N8010300	GASKET CYLINDER	1	1	1	1	
14	N2200390	BALL BEARING 25x52x15	2	2	2	2	
15	N8020100	CRANKSHAFT ASSY. KS	1	1			
15A	N8020210	CRANKSHAFT ASSY. KS / ES	1		1	1	

** - REF. KIT & KIT CONTENTS

FIG.No. 03



CYLINDER BLOCK & CRANKSHAFT ASSY.

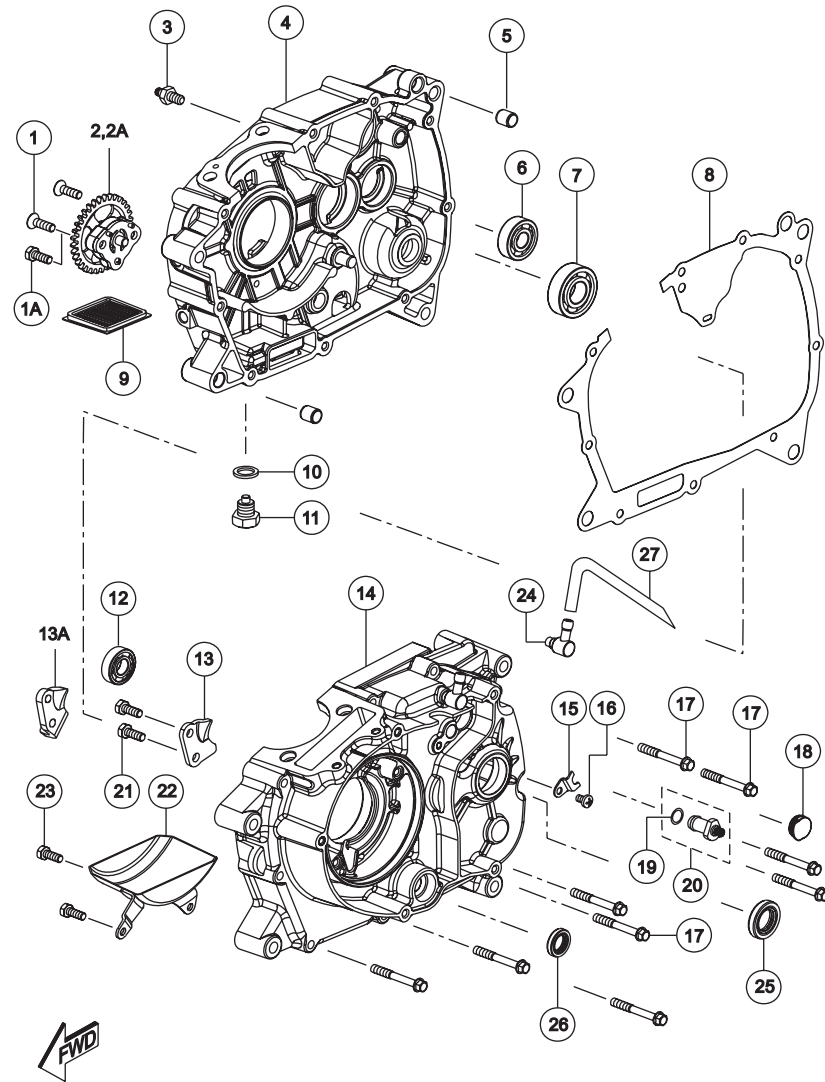
FIG.NO. 03

CYLINDER BLOCK & CRANKSHAFT ASSY.

REF. NO.	PART NO.	DESCRIPTION	NO. OFF				REMARKS
			STAR BASIC	STAR SPORT		REF.	
				OLD	ALLOY		
16	N3011670	PLUG ADJUSTER TENSIONER				1	
17	N8320130	CYLINDER BLOCK & PISTON KIT KS	1	1	1	1	**
17A	N8322720	CYLINDER BLOCK & PISTON KIT ES				1	**
18	N8180030	ENGINE ASSEMBLY STAR	1				(old)
18B	N8180070	ENGINE ASSEMBLY SPORT		1			(old)
18C	N8180110	ENGINE ASSY. KS	1		1	1	
18D	N8180130	ENGINE ASSY. ES				1	

** - REF. KIT & KIT CONTENTS

FIG.No. 04



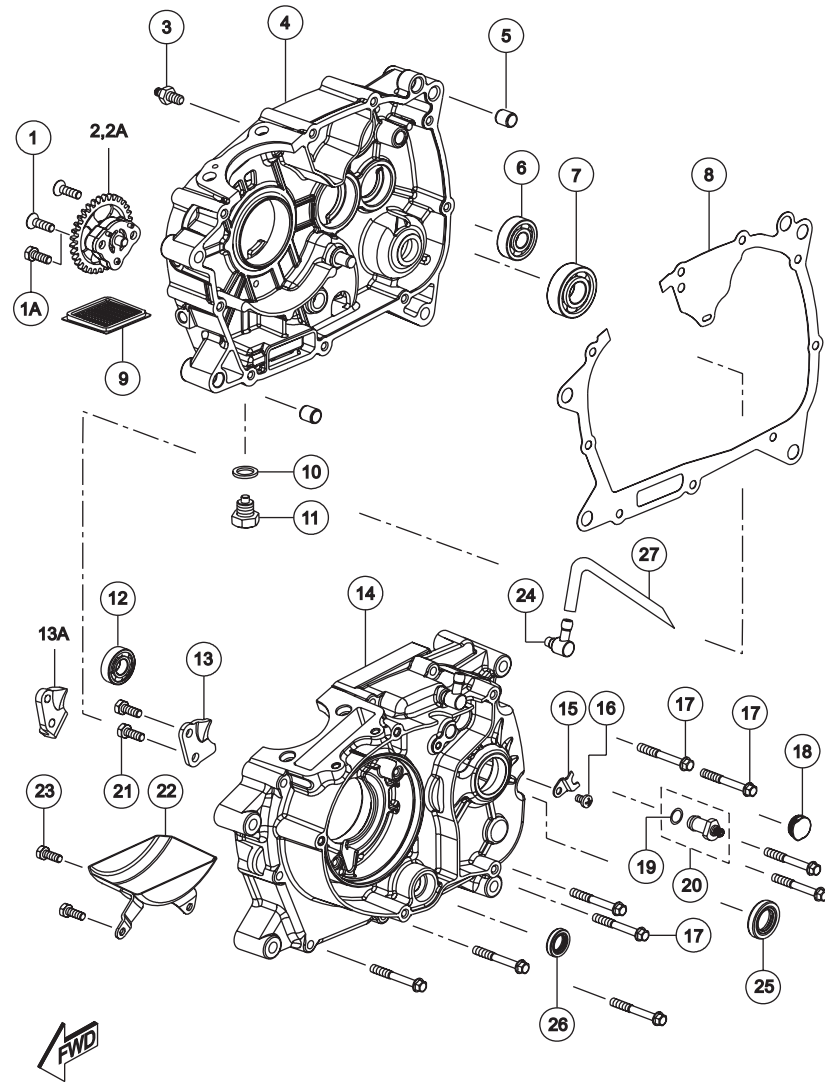
CRANKCASE ASSEMBLY

FIG.NO. 04

CRANKCASE ASSEMBLY

REF. NO.	PART NO.	DESCRIPTION	NO. OFF				REMARKS
			STAR BASIC	STAR SPORT		REF.	
				OLD	ALLOY		
1	N3200360	CRR CSK HEAD SCREW M6x20	2	2	2		(old)
1A	N2200470	REC CSK HEAD SCREW M6x22	2			2	
2	N8080900	PUMP ASSY. OIL	1	1	1		(old)
2A	N8080680	PUMP ASSY. OIL	1			1	USE WITH SL.No.1A
3	N5080920	HOOK SPRING CAM STOPPER	1	1	1	1	
4	N8320200	CRANK CASE ASSY. RH	1	1	1		(old)
4A	N8322700	CRANK CASE ASSY. RH KS/ES	1			1	
5	S1200270	DOWEL PIN 11x12	2	2	2	2	
6	N2200150	BALL BEARING 12x40x12	1	1	1	1	
7	420602000	BALL BEARING 17x40x12	1	1	1	1	
8	N8030180	GASKET CRANKCASE	1	1	1	1	
9	N5080460	OIL STRAINER	1	1	1	1	
10	S1011290	SEALING WASHER	1	1	1	1	
11	S1200900	PLUG COMP. OIL DRAIN	1	1	1	1	
12	N2200400	BALL BEARING 12x28x8	1	1	1	1	
13	N5080330	PLATE RATCHET GUIDE	1	1	1	1	
13A	N5081320	LIFTER RATCHET	1	1	1	1	
14	N8320190	CRANKCASE ASSY. LH KS	1	1	1	1	
14A	N8322710	CRANKCASE ASSY. LH ES					1

FIG.No. 04



CRANKCASE ASSEMBLY

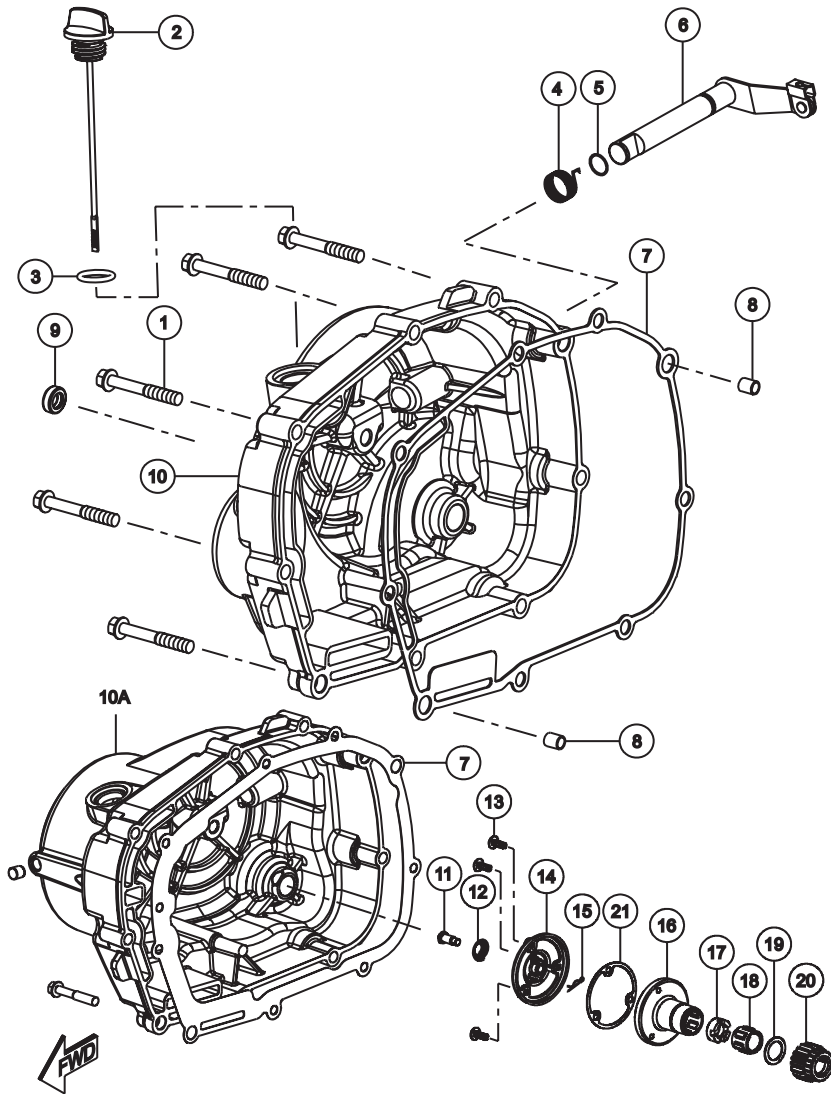
FIG.NO. 04

CRANKCASE ASSEMBLY

REF. NO.	PART NO.	DESCRIPTION	NO. OFF				REMARKS
			STAR BASIC	STAR SPORT		REF.	
				OLD	ALLOY		
15	N8060010	CLAMP GEAR SHIFT SWITCH	1	1	1	1	
16	0332028	CRR PAN HEAD SCREW M5x8	1	1	1	1	
17	N5200160	HEX FLANGE BOLT M6x45	9	9	9	9	
18	N8080410	DUST COVER GEAR SHIFTCAM	1	1	1	1	
19	—	O RING GEAR SHIFT SWITCH	1	1	1	1	
20	N5060080	GEAR SHIFT SWITCH	1	1	1	1	
21	420464700	HEX SCREW M6x16	2	2	2	2	
22	N8080490	OIL SEPERATOR	1	1	1	1	
23	0331708	CRPH SCREW M5x12	2	2	2	2	
24	R1080950	PIPE COMP. BREATHER	1	1	1	1	
25	T4080540	OILSEAL DRIVE SHAFT	1	1	1	1	
26	N2081720	OILSEAL GS SHAFT	1	1	1	1	
27	N8040500	HOSE CRANKCASE BREATHER	1	1	1	1	
28	N8321320	KIT OIL PUMP	1	1	1	1	**

** - REF. KIT & KIT CONTENTS

FIG.No. 05



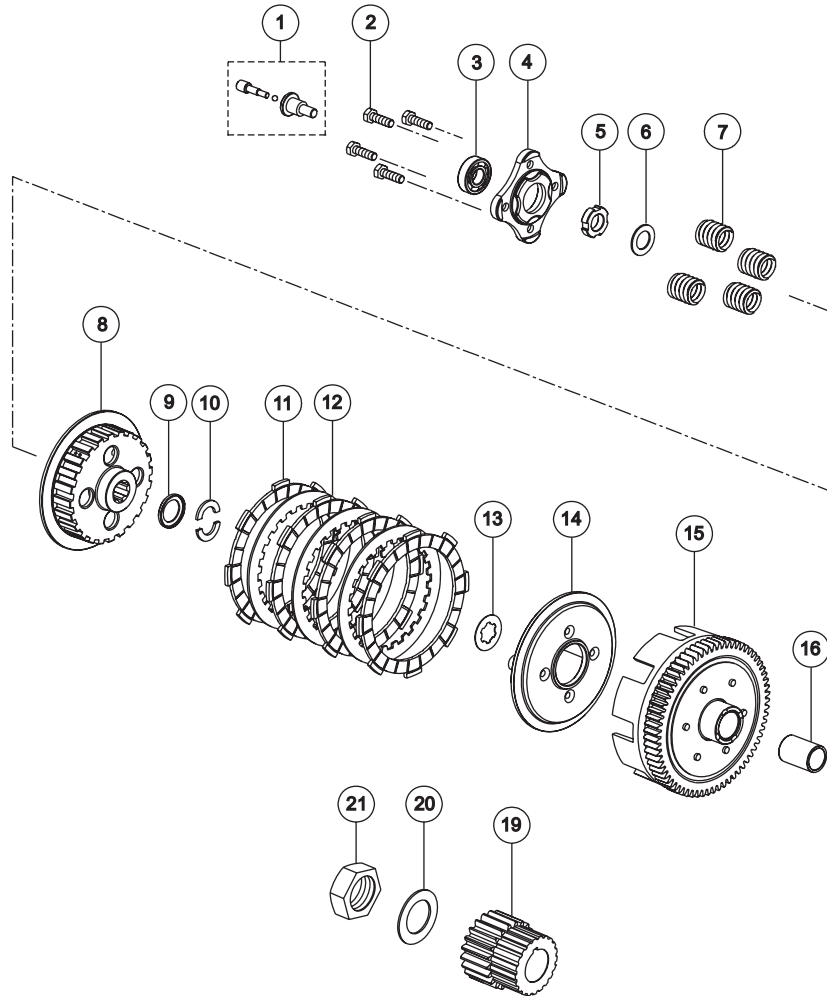
COVER CLUTCH ASSEMBLY

COVER CLUTCH ASSEMBLY

REF. NO.	PART NO.	DESCRIPTION	NO. OFF				REMARKS
			STAR BASIC	STAR SPORT		REF.	
				OLD	ALLOY		
1	N5200170	HEX FLANGE BOLT M6x35	9	9	9	9	
2	N8080470	GAUGE OIL LEVEL	1	1	1	1	
3	S1200860	O RING - GAUGE OIL LEVEL	1	1	1	1	
4	N2080800	SPRING CLUTCH CABLE RETURN	1	1	1	1	
5	N2080810	O RING - ROD CLUTCH RELEASE	1	1	1	1	
6	N2080770	ROD CLUTCH RELEASE COMP.	1	1	1	1	
7	N8030330	GASKET COVER CLUTCH	1	1	1	1	Replaces N8030210
8	0074010	DOWEL PIN 9x14	2	2	2	2	
9	N5200150	OIL SEAL CRANKSHAFT RH	1	1	1	1	
10	N8030200	COVER CLUTCH	1	1	1		
10A	N8030300	COVER CLUTCH	1		1	1	*
11	N5081240	PIPE CENTRIFUGAL FILTER	1		1	1	*
12	N5081230	SPRING CENTRIFUGAL FILTER	1		1	1	*
13	0332228	CRR CSK HD SCREW M6x16	3		3	3	*
14	N5081200	COVER CENTRIFUGAL FILTER	1		1	1	*
15	N5081250	CLIP DIA 7	1		1	1	*
16	N5081170	BODY CENTRIFUGAL FILTER	1		1	1	*
17	N5200710	NUT CRANKSHAFT RH	1		1	1	*
18	N5081189	INSERT, CENTRIFUGAL	1		1	1	*
19	N5070110	DISC SPRING	1		1	1	*
20	N5080190	GEAR PRIMARY DRIVE	1	1	1	1	
21	N5081220	GASKET CENTRIFUGAL FILTER	1		1	1	

* - APPLICABLE FOR THE ENGINES POSITIVE LUBRICATION

FIG.No. 06



CLUTCH ASSEMBLY

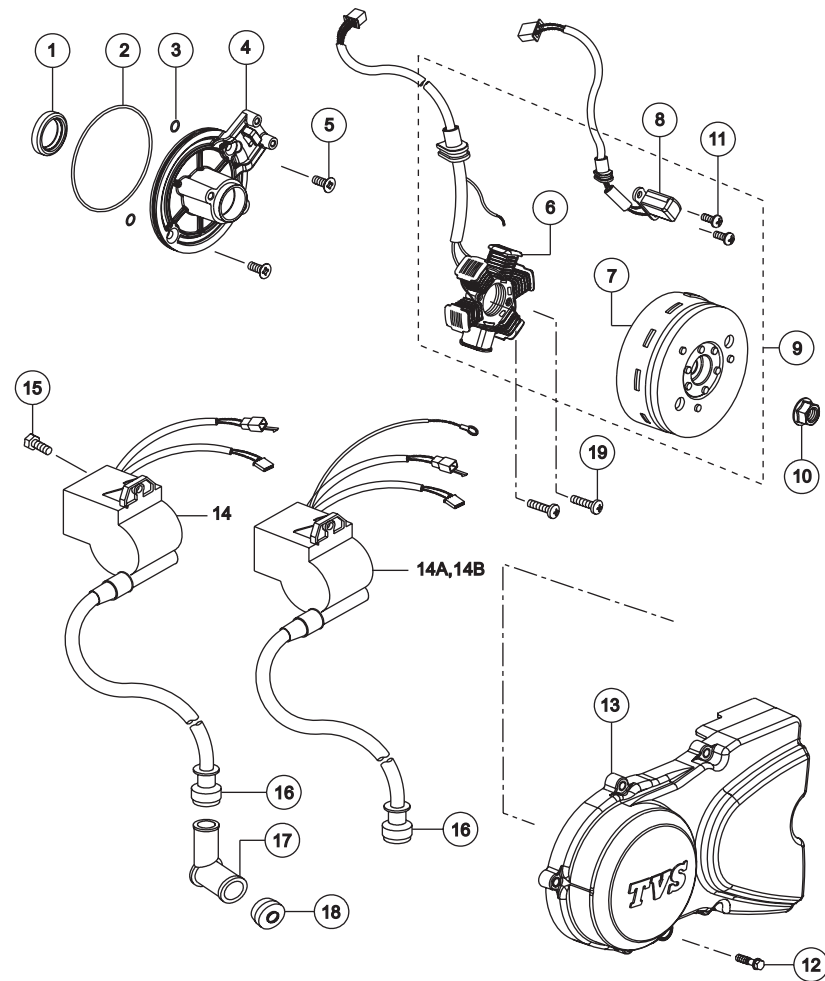
FIG.NO. 06

CLUTCH ASSEMBLY

REF. NO.	PART NO.	DESCRIPTION	NO. OFF				REMARKS
			STAR BASIC	STAR SPORT			
				OLD	ALLOY	REF.	
1	N5070240	PIN ASSY. CLUTCH RELEASE	1	1	1	1	
2	M1200530	HEX FL. BOLT M6x20	4	4	4	4	
3	N2200400	BALL BEARING 12x28x8	1	1	1	1	
4	N2070360	PLATE CLUTCH RELEASE	1	1	1	1	
5	N5070100	NUT CLUTCH SHAFT	1	1	1	1	
6	N5070110	SPRING DISC	1	1	1	1	
7	N2070370	SPRING CLUTCH	4	4	4	4	
8	N8070230	HUB CLUTCH	1	1	1	1	
9	N5200040	CUP WASHER	1	1	1	1	
10	N5200030	SPLIT WASHER	2	2	2	2	
11	—	PLATE CLUTCH DRIVE	4	4	4	4	REF. SL NO. 17
12	—	PLATE CLUTCH DRIVEN (METAL)	3	3	3	3	REF. SL NO. 18
13	N5200020	SHIM	1	1	1	1	
14	N2070200	DISC CLUTCH PRESSURE	1	1	1	1	
15	N8070180	GEAR ASSY. PRIMARY DRIVEN	1	1	1	1	
16	N5070080	SPACER CLUTCH	1	1	1	1	
17	N2320640	SET PLATE CLUTCH DRIVE	1	1	1	1	**
18	N2320750	SET PLATE CLUTCH DRIVEN	1	1	1	1	**
19	N5080190	GEAR PRIMARY DRIVE	1	1	1	1	
20	S1201050	DISC SPRING	1	1	1	1	
21	M1200250	HEX NUT M16x1.5	1	1	1	1	

** - REF. KIT & KIT CONTENTS

FIG.No. 07



MAGNETO ASSEMBLY (KS)

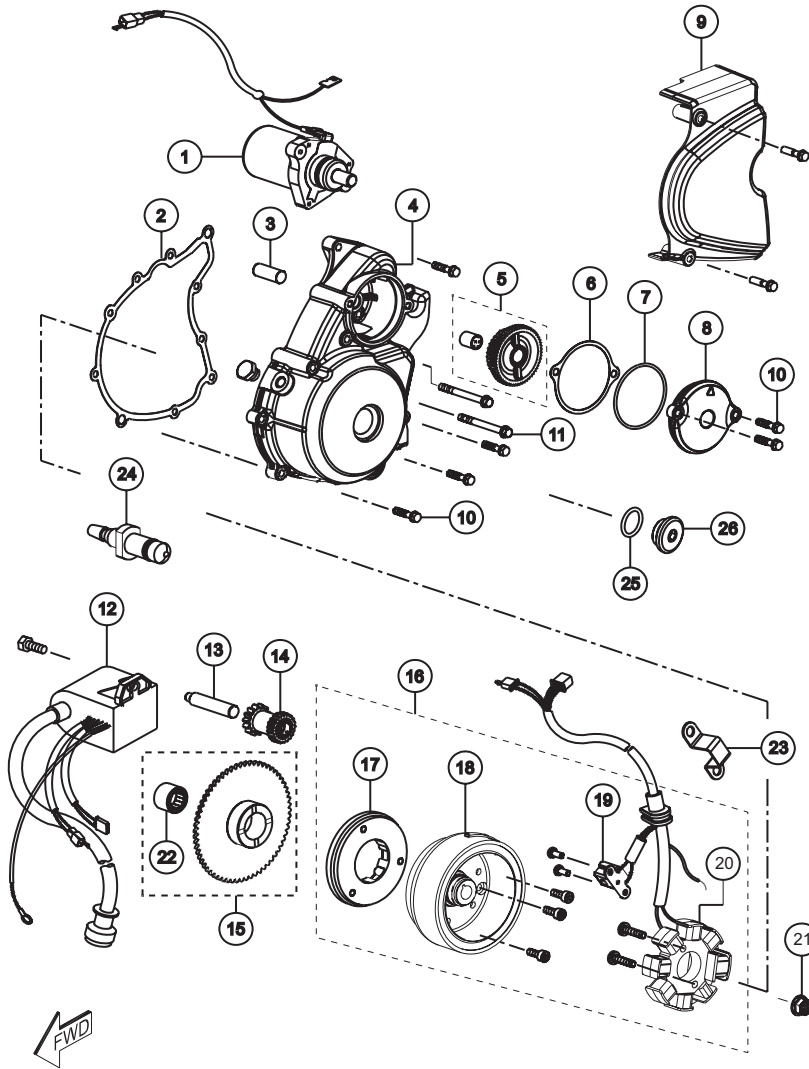
FIG.NO. 07

MAGNETO ASSEMBLY (KS)

REF. NO.	PART NO.	DESCRIPTION	NO. OFF				REMARKS
			STAR BASIC	STAR SPORT		REF.	
				OLD	ALLOY		
1	N5200270	OIL SEAL 20x30x6	1	1	1	1	
2	N5200070	O RING 95.5x2	1	1	1	1	
3	N5200050	O RING 6x 1.7	2	2	2	2	
4	N8060100	BACK PLATE MAGNETO	1	1	1	1	
5	0332228	CRPH SCREW M6x16	2	2	2	2	
6	N8060130	STATOR ASSY.	1	1	1	1	
7	N8060120	ROTOR ASSY.	1	1	1	1	
8	N3060130	PULSER COIL	1	1	1	1	
9	N8060110	MAGNETO ASSY. KS	1	1	1	1	
10	M1200770	HEX FLANGE NUT M12x1.25	1	1	1	1	
11	0331718	CRR PAN HD. SCREW M5x6	2	2	2	2	
12	M1200510	HEX FLANGE BOLT M6x25	5	5	5	5	
13	N8030240	COVER COMP. MAGNETO	1	1	1	1	KS
14	N8060140	COMBINED DIGITAL CDI	1*				
14A	N8060180	COMBINED DIGITAL CDI NEW	1	1			
14B	N8060320	COMBINED CDI UNIT KS			1	1	
15	420452700	HEX BOLT M6x15	1	1	1	1	
16	N2180130	SEAL HIGH TENSIONER CORD	1	1	1	1	
17	N8060170	SUPPRESSOR CAP	1	1	1	1	
18	S1060310	SEAL SPARK PLUG	1	1	1	1	
19	M1200820	SCREW COIL M6x25	2	2	2	2	
20	N8030500	GASKET COVER MAGNETO	1	1	1	1	N.I

* - APPLICABLE FOR THE VEHICLES PRODUCED BEFORE APR 2005

FIG.No. 07A



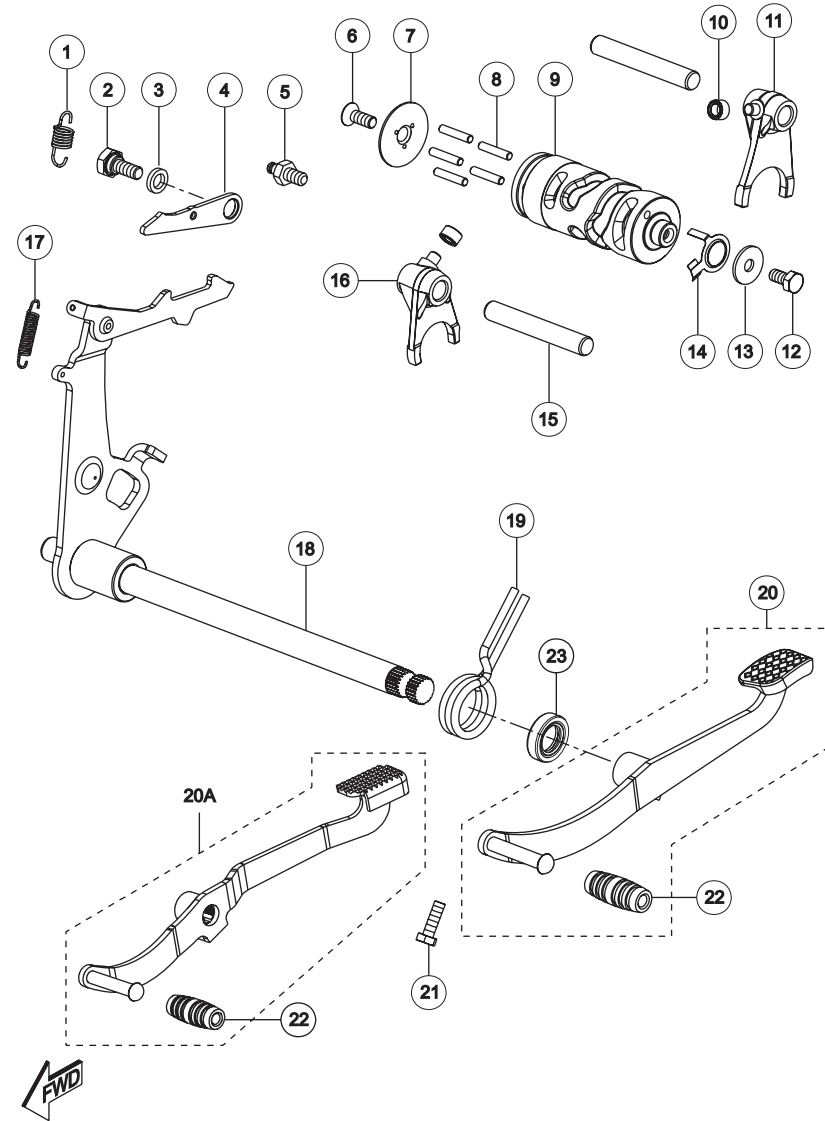
MAGNETO ASSEMBLY (ES)

FIG.NO. 07A

MAGNETO ASSEMBLY (ES)

REF. NO.	PART NO.	DESCRIPTION	NO. OFF			REMARKS	
			STAR BASIC	STAR SPORT			
				OLD	ALLOY		REF.
1	N8060250	STARTER MOTOR				1	
2	N8030410	GASKET COVER MAGNETO				1	
3	N3080420	SHAFT GEAR SM DRIVEN				1	
4	N8030390	COVER MAGNETO				1	
5	N3080630	GEAR COMP. SM DRIVEN				1	
6	N9030010	GASKET COVER ELECTRIC START				1	
7	N3202200	O-RING 58.6x2.4				1	
8	N3030340	COVER ELECTRIC START				1	
9	N8030400	COVER ENGINE SPROCKET				1	
10	M1200510	HEX FLANGE BOLT M6 x 25				5	
11	R1200180	HEX FLANGE BOLT M6 x 60L				2	
12	N8060230	IGNITION COIL ASSEMBLY				1	
13	N3080480	SHAFT GEAR SM IDLE				1	
14	N3080660	GEAR COMP. SM IDLE				1	
15	N3080670	RING GEAR ASSY.				1	
16	N8060220	MAGNETO ASSY.				1	
17	R1060110	ONE WAY CLUTCH				1	
18	—	ROTTOR ASSY.				1	NEW
19	N3060130	PULSER COIL				1	
20	N8060380	STATOR ASSY.				1	
21	M1200770	HEX FLANGE NUT M12x1.25				1	
22	R1200090	NEEDLE ROLLER BEARING				1	
23	N8080940	CLAMP WIRING HARNESS					
24	N8060340	NEUTRAL SWITCH				1	
25	N2081690	'O' RING				1	
26	N2081610	PLUG CRANK SHAFT HOLE				1	

FIG.No. 08

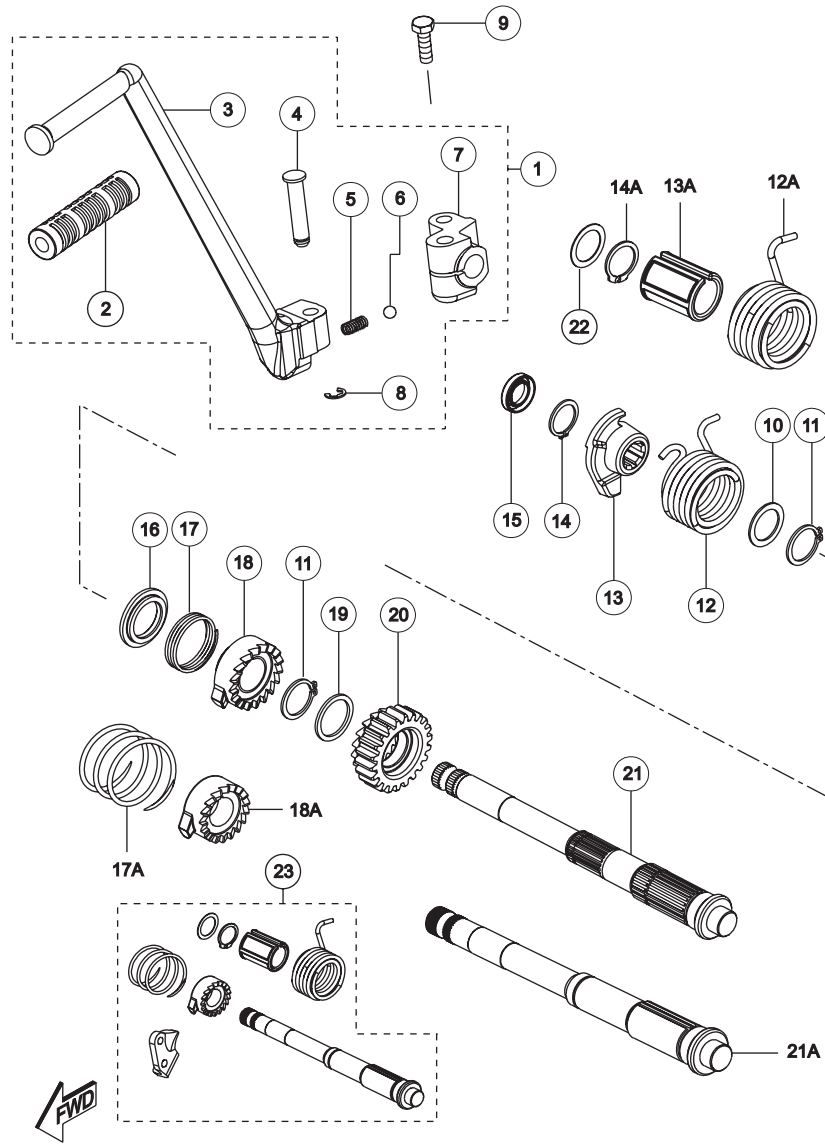


GEAR SHIFT ASSEMBLY

GEAR SHIFT ASSEMBLY

REF. NO.	PART NO.	DESCRIPTION	NO. OFF				REMARKS
			STAR BASIC	STAR SPORT			
				OLD	ALLOY	REF.	
1	N5080930	SPRING GEAR SHIFT CAM	1	1	1	1	
2	0331320	BOLT GEAR SHIFT CAM STOPPER	1	1	1	1	
3	8200300	WASHER	1	1	1	1	
4	N5080910	STOPPER GEAR SHIFT CAM	1	1	1	1	
5	N5080920	HOOK SPRING CAP STOPPER	1	1	1	1	
6	0332228	CRR CSK HEAD SCREW M6x16	1	1	1	1	
7	3040013	RETAINER GS CAM COMP.	1	1	1	1	
8	3044034	ROLLER CAM DRIVE	5	5	5	5	
9	N5081010	CAM GEAR SHIFT	1	1	1	1	
10	N2081570	SPACER ROLLER GS FORK PIN	2	2	2	2	
11	N5080280	FORK GEAR SHIFT LOW SPEED	1	1	1	1	
12	420452700	HEX SCREW M6x12	1	1	1	1	
13	N5080940	PUNCHED WASHER 6.5x18x1.6	1	1	1	1	
14	N5080620	CONTACT GEAR SHIFT SWITCH	1	1	1	1	
15	N5080270	SHAFT SHIFT FORK	2	2	2	2	
16	N5080290	FORK GEAR SHIFT HIGH SPEED	1	1	1	1	
17	N2080500	SPRING GEAR SHIFT PAWL	1	1	1	1	
18	N8080530	SHAFT COMP. GEAR SHIFT	1	1	1	1	
19	N2081170	SPRING SHIFT SHAFT RETURN	1	1	1	1	
20	N9080040	LEVER ASSY GEAR SHIFT	1	1	1	1	
20A	N9080210	LEVER ASSY GEAR SHIFT				1	
21	420462700	HEX BOLT M6x20	1	1	1	1	
22	N2081740	RUBBER GEAR SHIFT LEVER	1	1	1	1	
23	N2081720	OIL SEAL GEAR SHIFT SHAFT	1	1	1	1	

FIG.No. 09



KICK STARTER ASSEMBLY

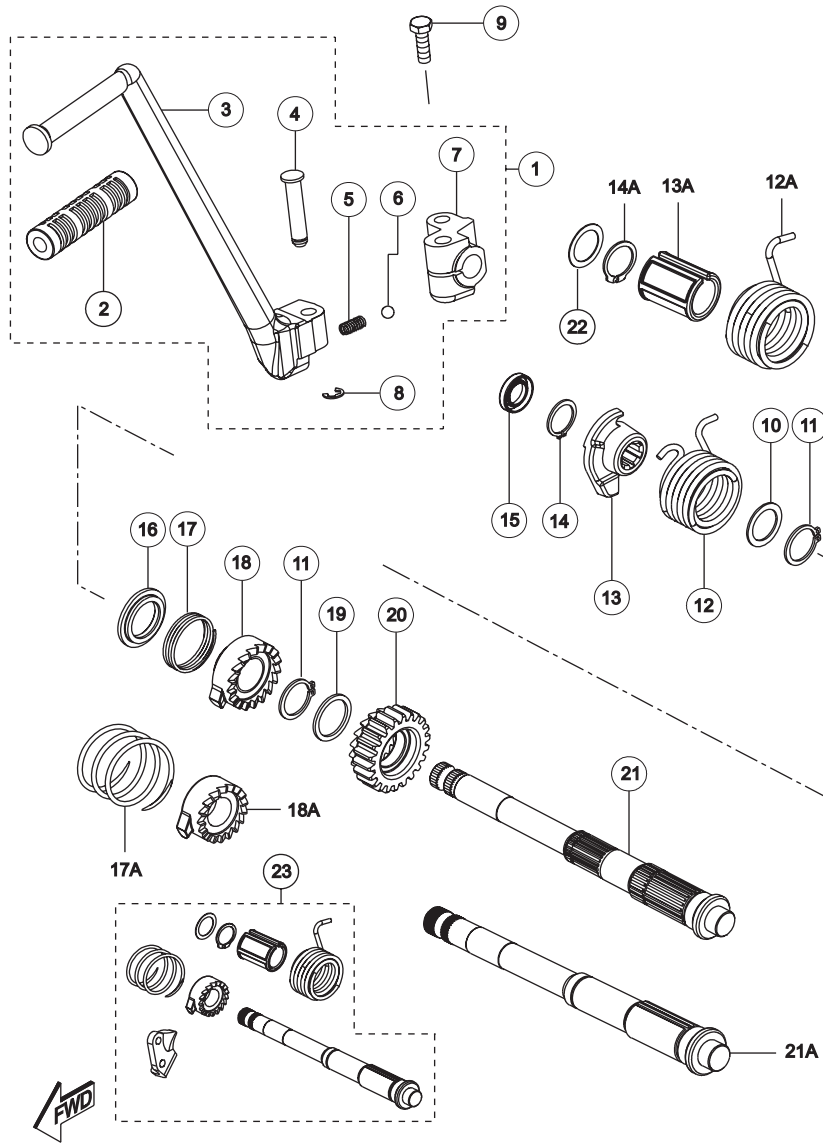
FIG.NO. 09

KICK STARTER ASSEMBLY

REF. NO.	PART NO.	DESCRIPTION	NO. OFF				REMARKS
			STAR BASIC	STAR SPORT			
				OLD	ALLOY	REF.	
1	N8080420	LEVER ASSY. KICK STARTER	1	1	1	1	
2	N2081470	RUBBER KICK STARTER LEVER	1	1	1	1	
3	N1080080	LEVER KICK STARTER	1	1	1	1	
4	N2081450	PIN KICK STARTER LEVER	1	1	1	1	
5	N2081430	SPRING KICK STARTER LEVER	1	1	1	1	
6	N2081440	BALL KICK STARTER LEVER	1	1	1	1	
7	N8080430	JOINT KICK STARTER	1	1	1	1	
8	N3200240	E RING	1	1	1	1	
9	420476700	HEX SCREW M6x30	1	1	1	1	
10	0335024	SHIM 17x24x1	1	1	1	1	
11	0330174	CIRCLIP EXT. 20x1.2	2	2	2	2	
12	N5080340	SPRING KICK STARTER LEVER	1	1	1	1	*
12A	N5081370	SPRING KICK STARTER LEVER NEW	1	1	1	1	
13	N5080320	RETAINER KICK STARTER	1	1	1	1	*
13A	N5081280	GUIDE KICK STARTER SPRING NEW	1	1	1	1	
14	P200030	CIRCLIP EXTERNAL 16x1	1	1	1	1	*
14A	0330164	CIRCLIP THIRD DRIVE GEAR NEW	1	1	1	1	

** - APPLICABLE FOR THE VEHICLES PRODUCED BEFORE FEB 2007

FIG.No. 09



KICK STARTER ASSEMBLY

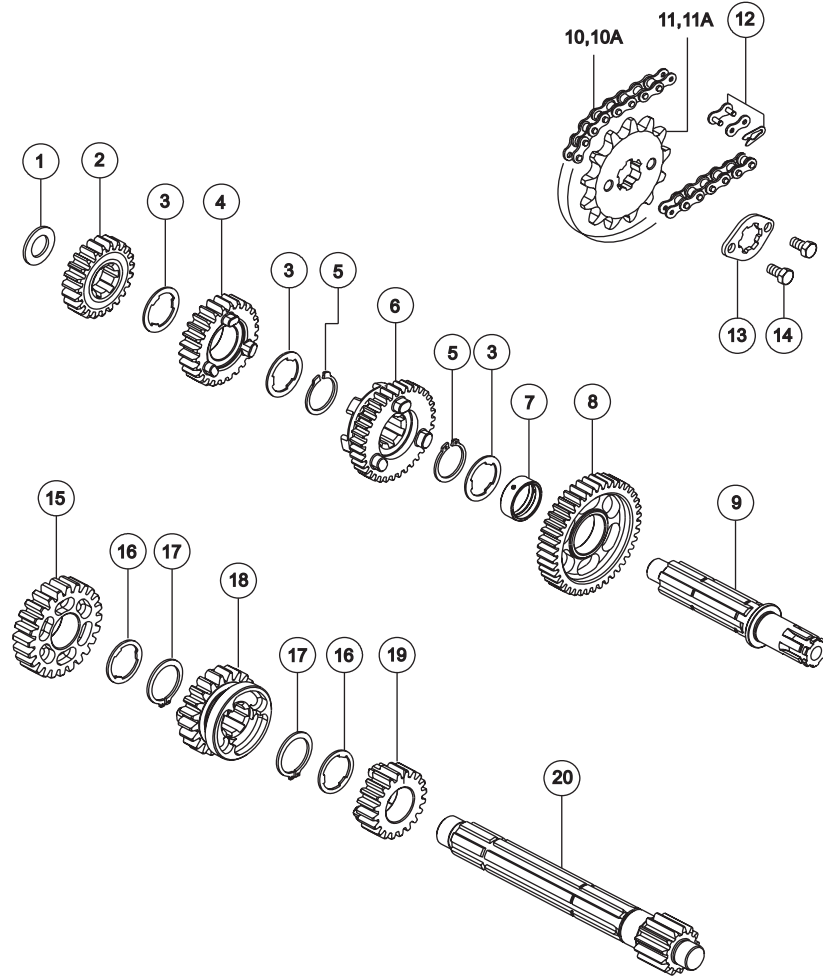
KICK STARTER ASSEMBLY

REF. NO.	PART NO.	DESCRIPTION	NO. OFF				REMARKS
			STAR BASIC	STAR SPORT			
		OLD		ALLOY	REF.		
15	N5200150	OIL SEAL	1	1	1	1	
16	N5080220	RETAINER K S SPRING	1	1	1	1	
17	N5080240	SPRING K S RATCHET	1	1	1	1	*
17A	N5081360	SPRING K S RATCHET NEW	1	1	1	1	
18	N5080200	RATCHET KICK STARTER	1	1	1	1	*
18A	N5081330	RATCHET KICK STARTER NEW	1	1	1	1	
19	N5200140	SHIM 20x25.5x1.5	1	1	1	1	
20	N5080810	GEAR KICK STARTER DRIVE 22T	1	1	1	1	
21	N5080230	SHAFT KICK STARTER	1	1	1	1	*
21A	N5081340	SHAFT KICK STARTER NEW	1	1	1	1	
22	K3200880	SHIM 17x24x0.5	1	1	1	1	*
23	N5321240	SHAFT KICK STARTER ASSY. KIT	1	1	1	1	**

** - REF. KIT & KIT CONTENTS

* - APPLICABLE FOR THE VEHICLES PRODUCED BEFORE FEB 2007

FIG.No. 10



TRANSMISSION ASSEMBLY

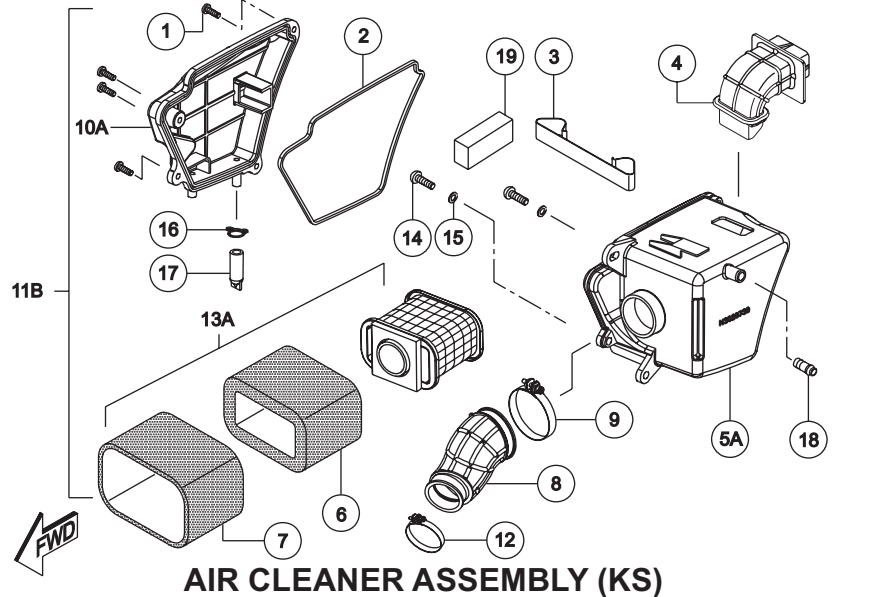
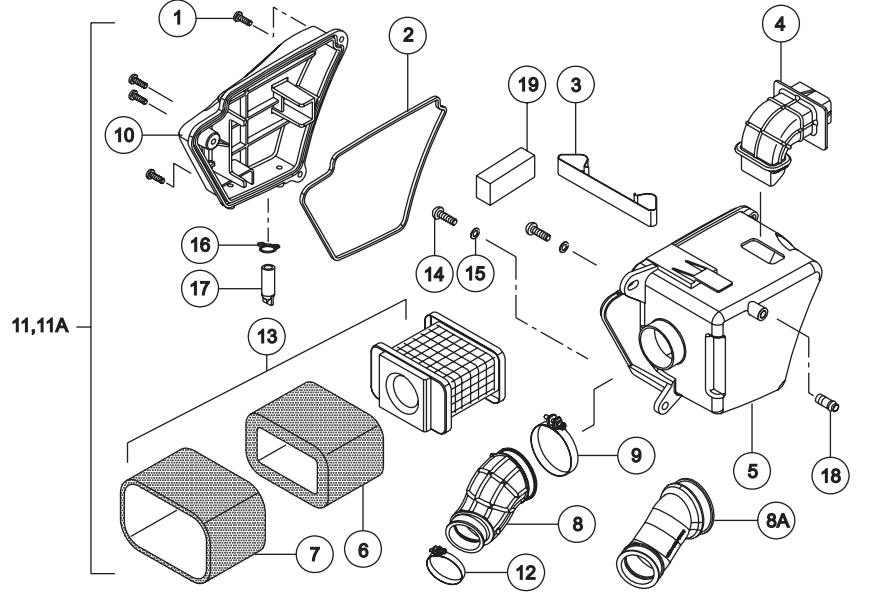
FIG.NO. 10

TRANSMISSION ASSEMBLY

REF. NO.	PART NO.	DESCRIPTION	NO. OFF				REMARKS
			STAR BASIC	STAR SPORT			
				OLD	ALLOY	REF.	
1	N5200080	SHIM 12.7x22x1.5	1	1	1	1	
2	N5080170	GEAR 4TH DRIVEN (23T)	1	1	1	1	
3	N2080330	SHIM	3	3	3	3	
4	N5080150	GEAR 3RD DRIVEN (26T)	1	1	1	1	
5	0330174	CIRCLIP 20x1.2	2	2	2	2	
6	N5080130	GEAR 2ND DRIVEN (35T)	1	1	1	1	
7	N5080060	BUSH 1ST DRIVEN	1	1	1	1	
8	N5080110	GEAR 1ST DRIVEN (36T)	1	1	1	1	
9	N5080100	SHAFT DRIVE	1	1	1	1	
10	N8080480	CHAIN ASSY. 102 LINKS	1*				
10A	N3080370	CHAIN ASSY. 110 LINKS	1	1	1	1	
11	N3080040	SPROCKET ENGINE (14T)	1*				
11A	N3080160	SPROCKET ENGINE (13T)	1	1	1	1	
12	3257200	LINK SET CHAIN	1	1	1	1	
13	N3080250	LOCK PLATE SPROCKET	1	1	1	1	
14	M1200940	HEX SCREW M5x10	2	2	2	2	
15	N5080160	GEAR 4TH DRIVE (24T)	1	1	1	1	
16	N5200110	SHIM 17.1x12x1	2	2	2	2	
17	N5200130	CIRCLIP 17x1.2	2	2	2	2	
18	N5080140	GEAR 3RD DRIVE (21T)	1	1	1	1	
19	N5080120	GEAR 2ND DRIVE (20T)	1	1	1	1	
20	N8080560	SHAFT CLUTCH (11T)	1	1	1	1	
21	N8320100	CHAIN & SPROCKET KIT (13/43/110L)	1	1			**
21B	N8322830	CHAIN & SPROCKET KIT (13/41/110L)			1		**
21C	N8323850	CHAIN & SPROCKET KIT (13/40/110L)				1	**
21D	N8332840	CHAIN & SPROCKET KIT (13/40/110L)				1	**

* - APPLICABLE FOR THE VEHICLES PRODUCED BEFORE JULY 2005,
 ** -REF. KIT&KIT CONTENTS

FIG.No.11



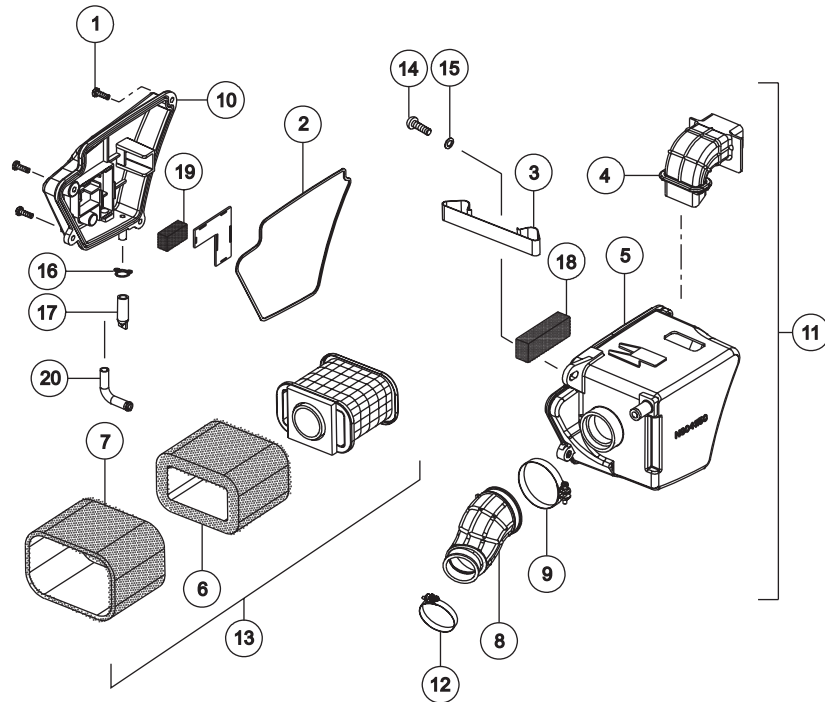
AIR CLEANER ASSEMBLY (KS)

AIR CLEANER ASSEMBLY (KS)

REF. NO.	PART NO.	DESCRIPTION	NO. OFF				REMARKS
			STAR BASIC	STAR SPORT		REF.	
				OLD	ALLOY		
1	0331718	CRR PAN HEAD SCREW M5x16	3	4	4	4	
2	N2040210	SEAL AIR CLEANER	1	1	1	1	
3	N2041690	CLAMP END CAP	1	1	1	1	
4	N2041300	TUBE INTAKE	1	1	1	1	
5	N2041080	CASE AIR CLEANER LH	1	1	1		
5A	N3040730	CASE AIR CLEANER LH					1
6	N2040650	FILTER INNER	1	1	1	1	
7	N2040640	FILTER OUTER	1	1	1	1	
8	N2041520	TUBE OUTLET	1	1	1	1	
9	N2040490	HOSE CLIP	1	1	1	1	
10	N8040400	COVER AIR CLEANER	1	1	1		
10A	N8040810	COVER AIR CLEANER					1
11	N8040390	AIR CLEANER ASSY.	1	1			Ap.SPACO
11A	N8041030	AIR CLEANER ASSY.		1			*
11C	N8040820	AIR CLEANER ASSY.	1	1	1	1	
12	A054190	HOSE CLIP	1	1	1	1	
13	N2040660	FILTER COMP. AIR CLEANER	1	1	1		
13A	N3040750	FILTER COMP. AIR CLEANER					1
14	0332275	SCREW M6x16	3	3	3	3	
15	0335608	WASHER	3	3	3	3	
16	N3040370	CLAMP DRAIN PIPE	1	1	1	1	
17	N3040360	DRAIN PIPE	1	1	1	1	
18	N8040510	INSERT AIR CLEANER	1	1	1	1	
19	N2041540	FILTER ELEMENT SAI	1	1	1	1	

* - Replaces N8040720 for more details refer SIB/M.CYCLE 11/06/07 DATED - 20/03/07

FIG.No.11A



AIRCLEANER ASSEMBLY (ES)

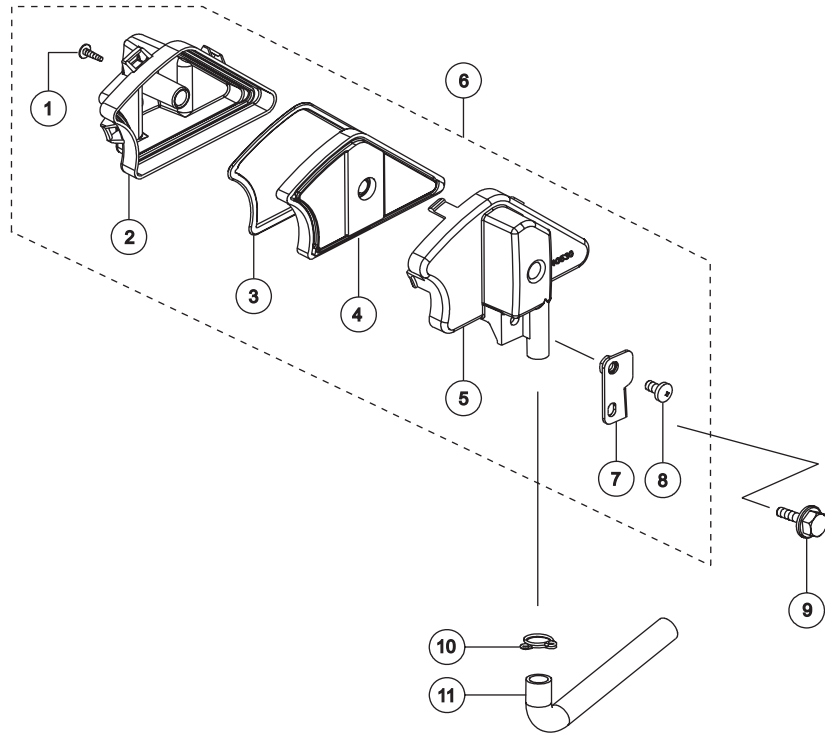
FIG.NO. 11A

AIRCLEANER ASSEMBLY (ES)

REF. NO.	PART NO.	DESCRIPTION	NO. OFF				REMARKS
			STAR BASIC	STAR SPORT		REF.	
				OLD	ALLOY		
1	0331718	CRR PAN HEAD SCREW M5x16				4	
2	N2040210	SEAL AIR CLEANER				1	
3	N2041690	CLAMP END CAP				1	
4	N2041300	TUBE INTAKE				1	
5	N9041150	CASE LH AIR CLEANER				1	
6	N2040650	FILTER INNER				1	
7	N2040640	FILTER OUTER				2	
8	N2041520	TUBE OUTLET				1	
9	N2040490	HOSE CLIP				1	
10	N9041140	COVER AIR CLEANER				1	
11	N8040830	AIR CLEANER ASSY. ES				1	FOR SPACO MAKE
11A	N8041120	AIR CLEANER ASSY. ES				1	FOR KEHINE MAKE
12	A054190	HOSE CLIP				1	
13	N3040750	FILTER COMP. AIR CLEANER KS/ES				1	
14	0332275	SCREW M6x16				3	
15	0335608	WASHER				3	
16	N3040370	CLAMP DRAIN PIPE				1	
17	N3040360	DRAIN PIPE				1	
18	N2041540	FILTER ELEMENT SAI				1	
19	N9041280	FILTER ELEMENT				1	
20	N9041350	TUBE AIRFILTER				1	
21	N3321480	FOAM KIT				1	**

** - REF. KIT KIT CONTENSTS

FIG.No.11B



AIR CLEANER ASSEMBLY - SAI

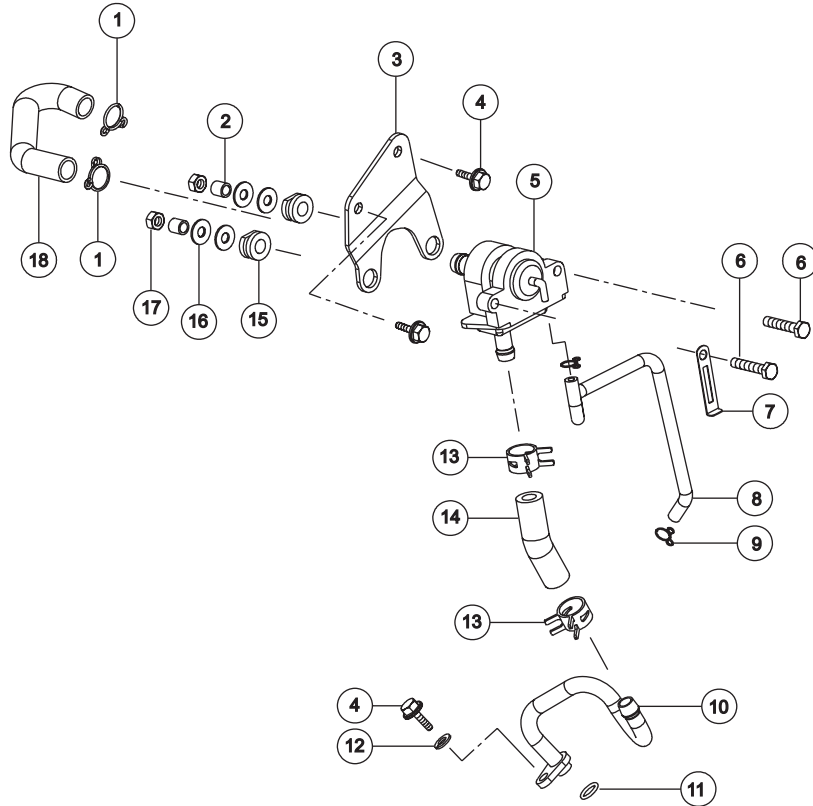
FIG.NO. 11B

AIR CLEANER ASSEMBLY - SAI

REF. NO.	PART NO.	DESCRIPTION	NO. OFF				REMARKS
			STAR BASIC	STAR SPORT			
				OLD	ALLOY	REF.	
1	N8200170	CRR PAN HEAD TAP SCREW 3.5x16	1	1	1	1	
2	N8040540	CASE AIR CLEANER SAI	1	1	1	1	
3	N8040790	SEAL SAI AIR CLEANER	1	1	1	1	
4	N8040650	FOAM SAI AIR CLEANER	1	1	1	1	
5	N8040550	COVER AIR CLEANER SAI	1	1	1	1	
6	N8040530	AIR CLEANER ASSY. SAI	1	1	1	1	
7	N8040780	SUPPORT SAI AIR CLEANER	1	1	1	1	
8	0332068	CRR PAN HEAD SCREW M6x12	1	1	1	1	
9	M1200520	HEX FLANGE BOLT M6x16	1	1	1	1	
10	N2041150	HOSE CLIP No: 1	1	1	1	1	
11	K3040670	HOSE AIR ENTRY	1	1	1	1	

NOTE : ABOVE DETAILS APPLICABLE FOR THE VEHICLES PRODUCED ONLY AFTER APRIL 2005

FIG.No.12



SECONDARY AIR INJECTION ASSY.

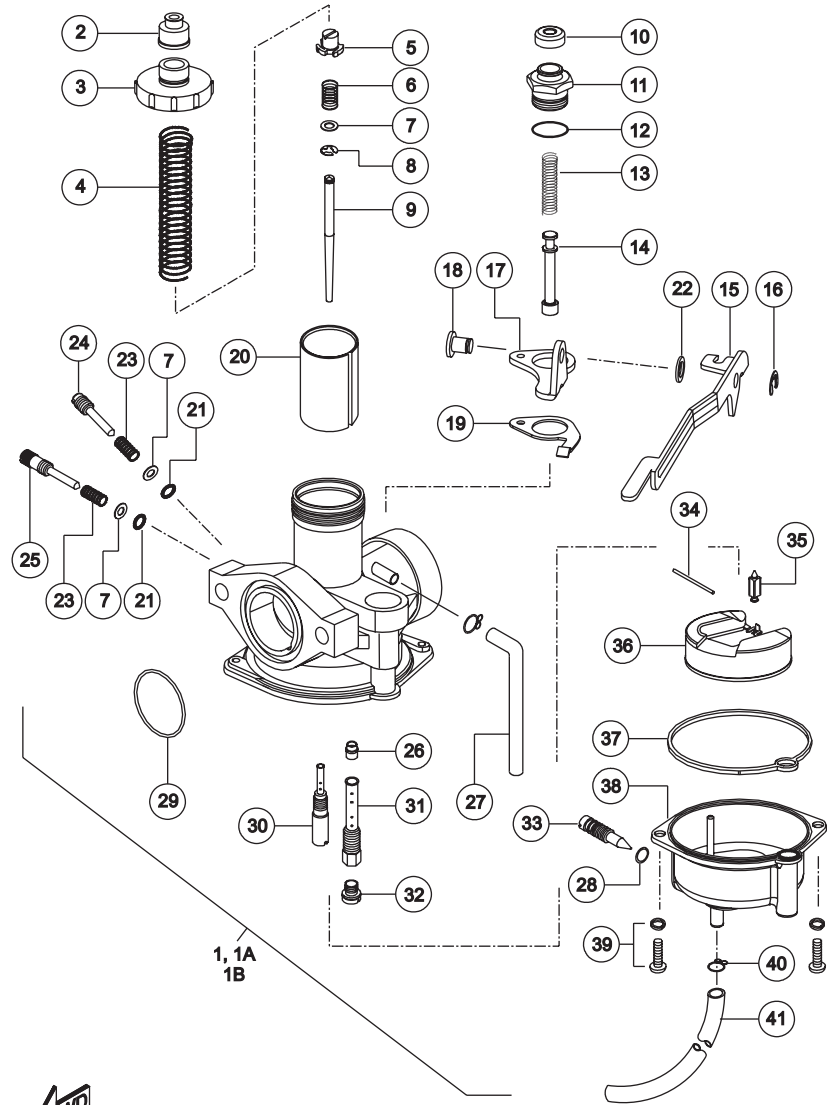
FIG.NO. 12

SECONDARY AIR INJECTION ASSY.

REF. NO.	PART NO.	DESCRIPTION	NO. OFF				REMARKS
			STAR BASIC	STAR SPORT		REF.	
				OLD	ALLOY		
1	N2041150	HOSE CLIP No. 1	2	2	2	2	
2	N3160220	SPACER RC LAMP	2	2	2	2	
3	N8040640	BRACKET SAI	1	1	1	1	
4	M1200520	HEX FLANGE BOLT M6x16	3	3	3	3	
5	N8040250	SECONDARY AIR INJECTION VALVE	1	1	1	1	
6	N3200190	HEX SCREW M6x30	2	2	2	2	
7	S1125320	CLAMP OIL HOSE No: 2	1	1	1	1	
8	N9040300	HOSE AIR CUT VALVE	1	1	1	1	
9	414147000	HOSE CLIP	2	2	2	2	
10	N8040580	PIPE COMP SAI	1	1	1	1	
11	N8040340	O RING 1.9x10 AIR INJECTION	1	1	1	1	
12	0330408	WAVE SPRING WASHER M6	1	1	1	1	
13	N8040350	HOSE CLIP AIR INJECTION	2	2	2	2	
14	N8040620	HOSE SAI OUTLET	1	1	1	1	
15	N2041670	CUSHION VALVE MOUNTING	2	2	2	2	
16	0335608	PUNCHED WASHER 6.5x16x1.2	4	4	4	4	
17	420305700	HEX NUT M6	2	2	2	2	
18	N8040630	HOSE SAI INLET	1	1	1	1	

NOTE : ABOVE DETAILS APPLICABLE FOR THE VEHICLES PRODUCED ONLY AFTER APRIL 2005

FIG.No. 13



CARBURETTOR ASSEMBLY (SPACO MAKE)

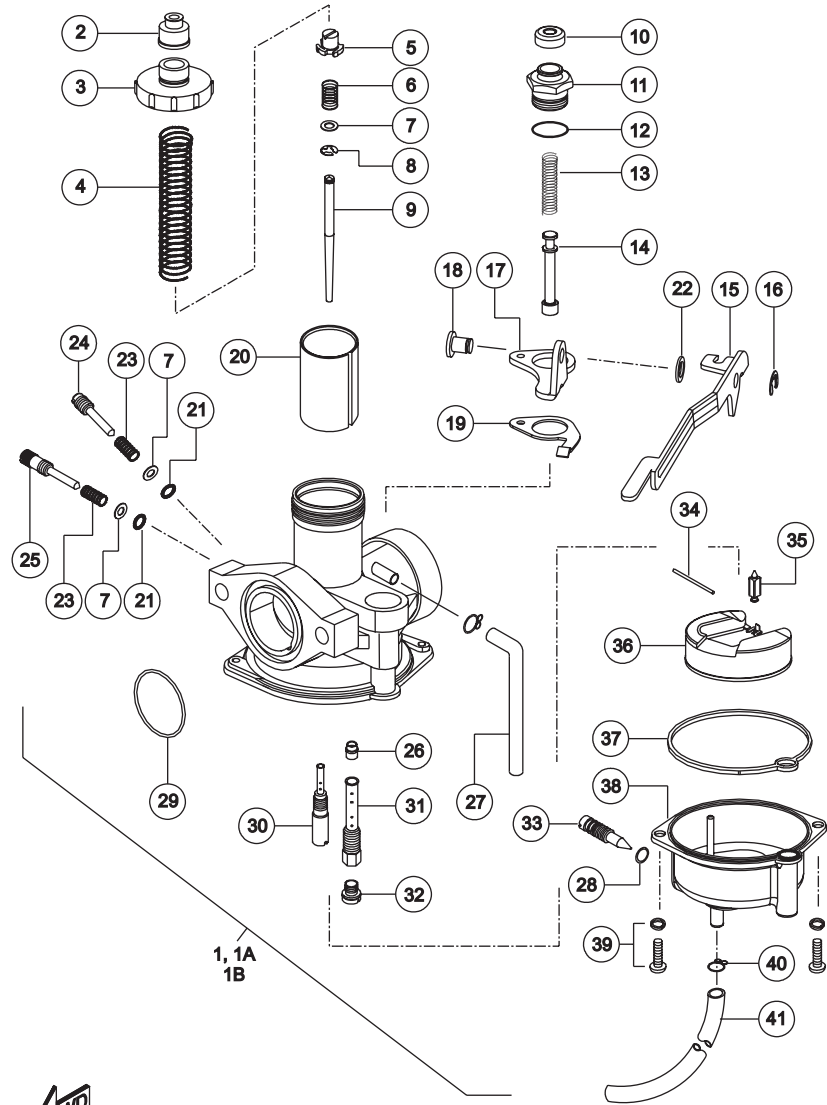
CARBURETTOR ASSEMBLY (SPACO MAKE)

REF. NO.	PART NO.	DESCRIPTION	NO. OFF				REMARKS
			STAR BASIC	STAR SPORT		REF.	
				OLD	ALLOY		
1	N8040420	CARBURETTOR ASSY.	1				
1A	N8040660	CARBURETTOR ASSY.	1				
1B	N8040900	CARBURETTOR ASSY.		1	1	1	
2	N8320270	TOP CAP	1	1	1	1	
3	N8320280	CAP THROTTLE	1	1	1	1	
4	N8320290	SPRING PISTON VALVE	1	1	1	1	
5	N8320300	HOLDER JET NEEDLE	1	1	1	1	
6	N8320310	SPRING JET NEEDLE	1	1	1	1	
7	N8320600	WASHER JET NEEDLE	3	3	3	3	
8	N8320320	E RING JET NEEDLE	1	1	1	1	
9	N8320330	JET NEEDLE	1	1	1	1	
10	N8320610	CAP CHOKE	1*				
10A	N8320960	CAP CHOKE		1	1	1	
11	N8320590	GUIDE HOLDER ASSY.	1*				
11A	N8320930	HOUSING CHOKE		1	1	1	
12	N8320730	O RING GUIDE HOLDER	1	1	1	1	
13	N8320580	SPRING STARTER	1*				
13A	N8320940	SPRING STARTER (CHOKE)		1	1	1	
14	N8320570	PLUNGER STARTER	1*				
14A	N8320950	VALVE SPINDLE (STARTER)		1	1	1	
15	N8320620	LEVER CHOKE	1*	-	-	-	
16	N8320740	E RING CHOKE LEVER	1*	-	-	-	
17	N8320750	BRKT CHOKE LEVER	1*	-	-	-	
18	N8320760	PIN CHOKE LEVER	1*	-	-	-	
19	N8320640	SPRING PLATE (CHOKE LEVER)	1*	-	-	-	
20	N8320340	PISTON VALVE	1	1	1	1	

* - APPLICABLE FOR THE VEHICLES PRODUCED BEFOR JULY 2005

CARBURETTOR ASSEMBLY (SPACO MAKE)

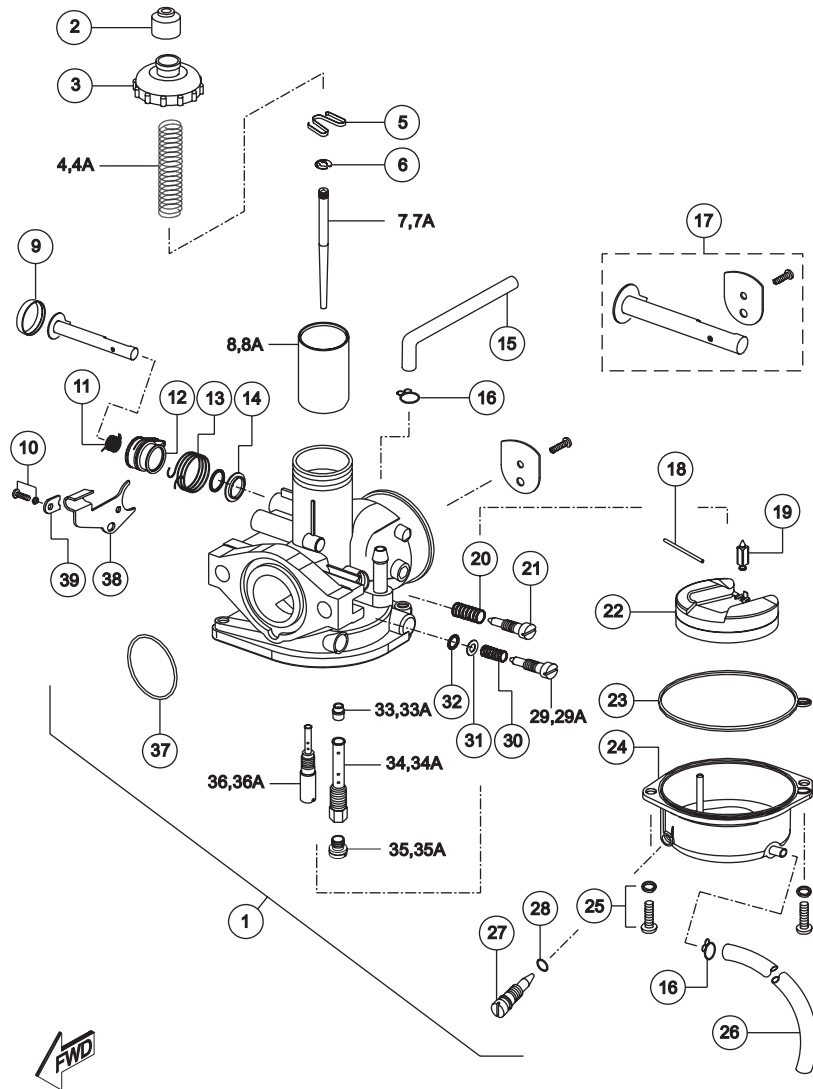
FIG.No. 13



CARBURETTOR ASSEMBLY (SPACO MAKE)

REF. NO.	PART NO.	DESCRIPTION	NO. OFF				REMARKS
			STAR BASIC	STAR SPORT		REF.	
				OLD	ALLOY		
21	N8320380	O RING AS	2	2	2	2	
22	N8320770	WASHER CHOKE LEVER	1	1	1	1	
23	N8320360	SPRING AS	2	2	2	2	
24	N8320350	AIR SCREW (AS)	1	1	1	1	
25	N8320390	ADJUSTER (PISTON VALVE)	1	1	1	1	
26	N8320790	NEEDLE JET (JET)	1	1	1	1	
27	N8320480	HOSE AIR VENT	1	1	1	1	
28	N8320780	O RING DRAIN PLUG	1	1	1	1	
29	N8320560	O RING CARB. FLANGE	1	1	1	1	
30	N8320550	PILOT JET (H42)	1	1	1	1	
31	N8320540	JET HOLDER	1	1	1	1	
32	N8320520	MAIN JET (82)	1	1	1	1	
33	N8320470	SCREW DRAIN	1	1	1	1	
34	N8320490	PIN FLOAT	1	1	1	1	
35	N8320510	NEEDLE VALVE ASSY.	1	1	1	1	
36	N8320500	FLOAT ASSY.	1	1	1	1	
37	N8320440	SEAL BOWL	1	1	1	1	
38	N5080430	FLOAT BODY ASSY.	1	1	1	1	
39	N8320450	SCREW SET FLOAT CHAMBER	2	2	2	2	
40	N5320400	CLIP HOSE	2	2	2	2	
41	N8320460	HOSE DRAIN	1	1	1	1	

FIG.No. 13A



CARBURETTOR ASSY. (KEHINE MAKE)

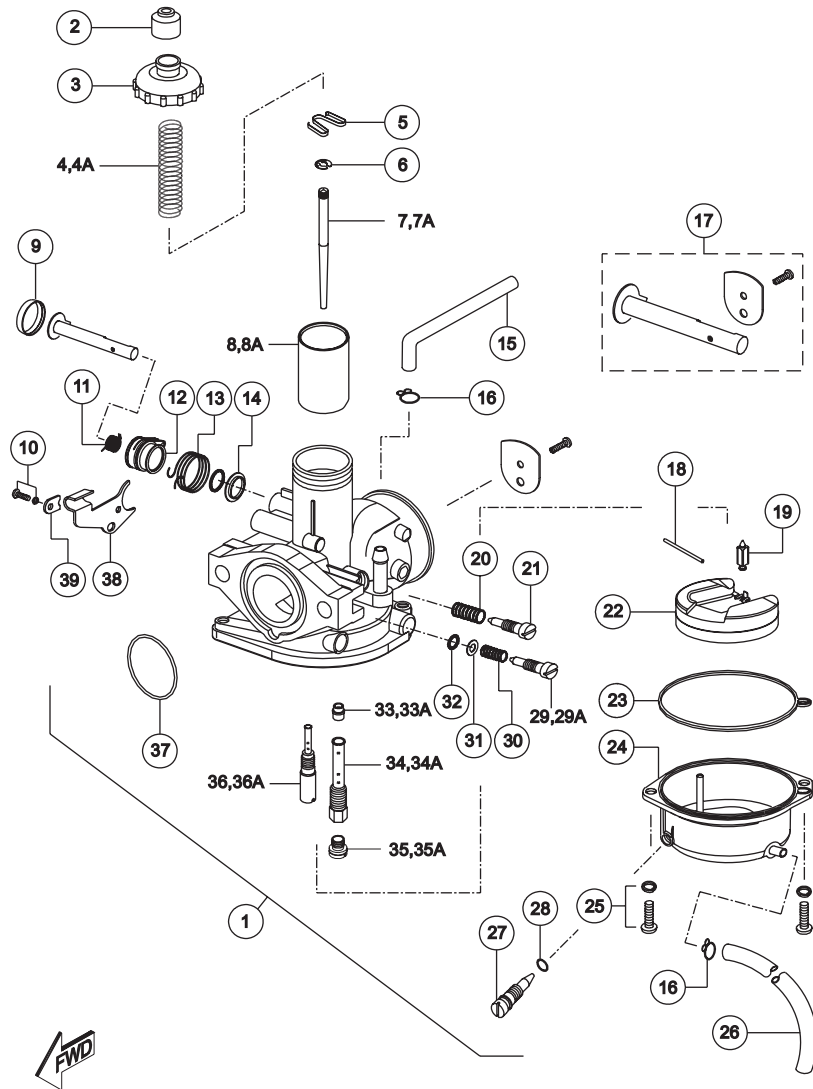
FIG.NO. 13A

CARBURETTOR ASSY. (KEHINE MAKE)

REF. NO.	PART NO.	DESCRIPTION	NO. OFF			REMARKS	
			STAR BASIC	STAR SPORT			
				OLD	ALLOY		REF.
1	N8040680	CARBURETTOR ASSEMBLY		1	1	1	
2	N8321610	TOP CAP		1	1	1	
3	N8321750	CAP THROTTLE		1	1	1	
4	N8321600	SPRING COMPRESSION		1	1	1	
4A	N8322930	SPRING COMPRESS AD4G		1	1	1	*
5	N8321590	BAR CLIP		1	1	1	
6	N8321790	E RING		1	1	1	
7	N8321430	JET NEEDLE (NEEDLE)		1	1	1	
7A	N8322870	JET NEEDLE AD4G		1	1	1	*
8	N8321570	VALVE THROTTLE (PISTON VALVE)		1	1	1	
8A	N8322910	VALVE THROTTLE (PISTON) AD4G		1	1	1	*
9	N8321700	CHOCK DUST CAP		1	1	1	
10	N8321800	SCREW WASHER BRKT MTG.		1	1	1	
11	N8321810	SPRING CHOCK -1		1	1	1	
12	N8321820	HOLDER CHOCK		1	1	1	
13	N8321830	SPRING CHOCK -2		1	1	1	
14	N8321840	BUSH CHOCK CARB.		1	1	1	
15	N8321720	TUBE AIR VENT		1	1	1	
16	N8321730	CLUP TUBE		1	1	1	
17	N8321850	ROD ASSY. CHOCK KIT		1	1	1	
18	N8321510	FLOAT ARM PIN		1	1	1	
19	N8321470	VALVE COMP. FLOAT		1	1	1	
20	N8321650	SPRING STOP SCREW		1	1	1	
21	N8321640	SCREW STOP		1	1	1	
22	N8321480	FLOAT COMP.		1	1	1	

* - APPLICABLE FOR THE VEHICLES FITTED WITH "KEHINE AD4G" CARBURETTOR ASSY.

FIG.No. 13A



CARBURETTOR ASSY. (KEHINE MAKE)

FIG.NO. 13A

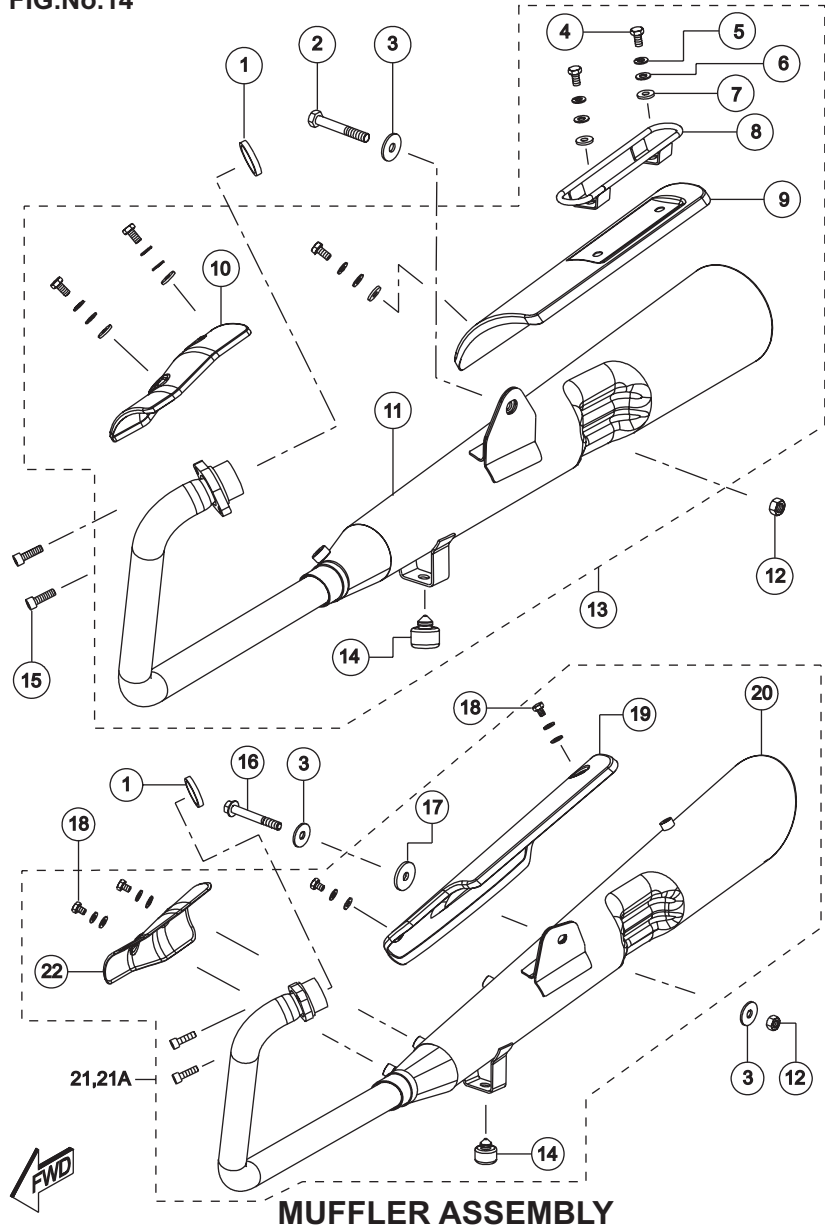
CARBURETTOR ASSY. (KEHINE MAKE)

REF. NO.	PART NO.	DESCRIPTION	NO. OFF			REMARKS	
			STAR BASIC	STAR SPORT			
				OLD	ALLOY		REF.
23	N8321530	GASKET FLOAT CHAMBER		1	1	1	
24	N8321520	BODY COMP. FLOAT CHAMBER		1	1	1	
25	N8321540	SCREW WASHER 4x14		2	2	2	
26	N8321710	TUBE OVERFLOW		1	1	1	
27	N8321550	DRAIN SCREW		1	1	1	
28	N8321560	O RING		1	1	1	
29	N8321660	SCREW ADJUSTER		1	1	1	
29A	N8322940	SCREW ADJUSTER AD4G		1	1	1	*
30	N8321670	SPRING IDLE MIXTURE ADJUSTER		1	1	1	
31	N8321680	WASHER PLAIN		1	1	1	
32	N8321690	O RING		1	1	1	
33	N8321580	NEEDLE JET		1	1	1	
33A	N8322920	NEEDLE JET AD4G		1	1	1	*
34	N8321440	HOLDER NEEDLE JET		1	1	1	
34A	N8322880	HOLDER NEEDLE JET AD45		1	1	1	*
35	N8321450	JET MAIN # 78		1	1	1	
35A	N8322890	JET MAIN AD4G		1	1	1	*
36	N8321460	JET COMP. SLOW		1	1	1	
36A	N8322900	JET COMP. SLOW AD4G		1	1	1	*
37	N8321740	O RING 24x25		1	1	1	
38	N8321860	BRKT CHOCK CABLE		1	1	1	
39	N8321870	GUIDE BRKT CHOCK		1	1	1	

* - APPLICABLE FOR THE VEHICLES FITTED WITH "KEHINE AD4G" CARBURETTOR ASSY.

FIG.NO. 14

FIG.No.14

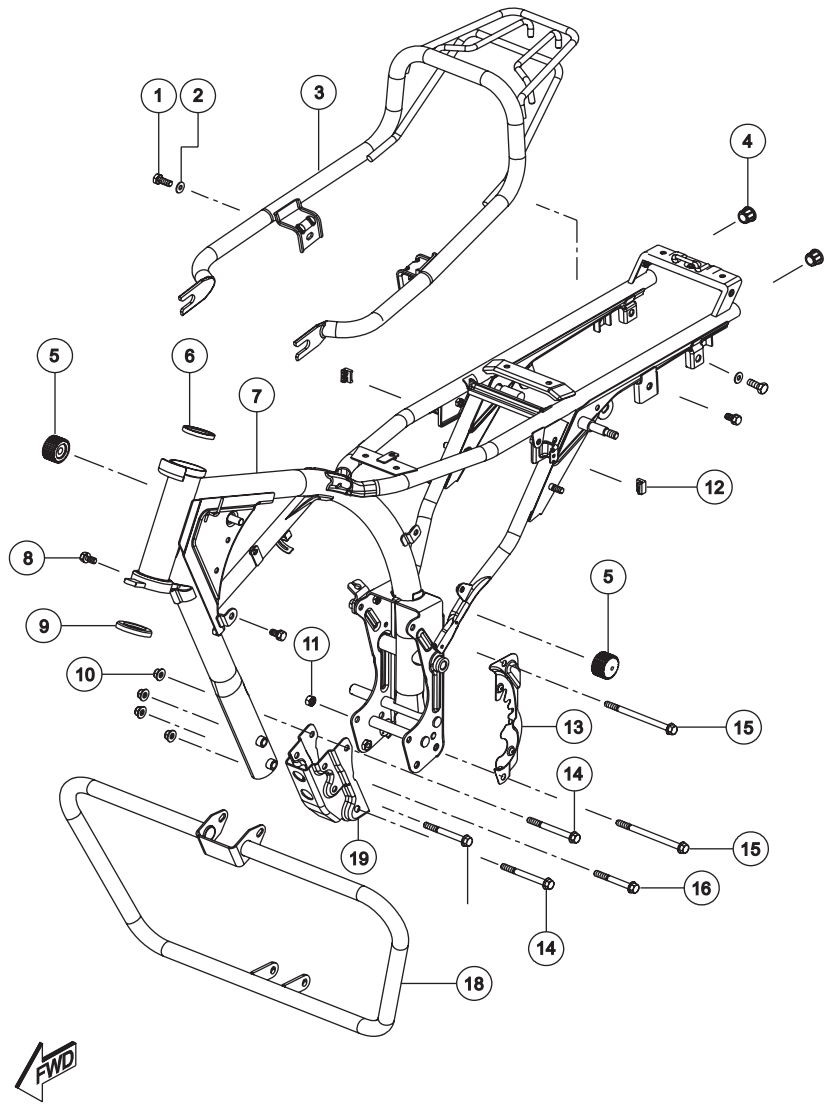


MUFFLER ASSEMBLY

REF. NO.	PART NO.	DESCRIPTION	NO. OFF				REMARKS
			STAR BASIC	STAR SPORT			
				OLD	ALLOY	REF.	
1	T4050180	GASKET EXHAUST	1	1	1	1	
2	N3200200	HEX BOLT M8x55	1				
3	N3200210	PUNCHED WASHER 8.2x25x2	1	2	2	2	
4	N8200100	HEX SCREW M6x12	5				
5	N8200110	WAVE SPRING WASHER M6	5				
6	M7200230	PUNCHED WASHER 6.5x13x1	5				
7	N8050690	INSULATOR GUARD EXHAUST	5				
8	N8050520	LEG GUARD MUFFLER	1				
9	N8050680	GUARD EXHAUST RR (SIL. GREY)	1				
10	N8050670	GUARD EXHAUST FR. (SIL. GREY)	1				
11	N8050340	MUFFLER COMP.	1				
12	0334548	HEX NUT M8	1	1	1	1	
13	N8320180	MUFFLER ASSY. WITH GUARD	1				
14	S1125310	CUSHION	1	1	1	1	
15	N2200470	HEX SOCKET HD SCREW M6x20	2	2	2	2	
16	N8200150	HEX FLANGE BOLT M8x60		1	1	1	
17	M7100630	3D WASHER A8.4		1	1	1	
18	N5200680	HEX SCREW M6x8		4	4	4	
19	N8220220	MUFFLER GUARD REAR BLACK		1	1	1	
19A	N8221240	MUFFLER GUARD REAR PLATED		1	1	1	
20	N8051080	MUFFLER COMP. (W/O GU.) PLATED		1	1	1	
20A	N8051320	MUFFLER COMP. (W/O GU.) BLACK		1		1	
21	N8321780	MUFFLER ASSY. (WITH GU.) PLATED		1	1	1	
21A	N8051270	MUFFLER ASSY. (WITH GU.) BLACK		1		1	
22	N8220230	MUFFLER GUARD FRONT PLATED		1	1	1	

FRAME ASSEMBLY

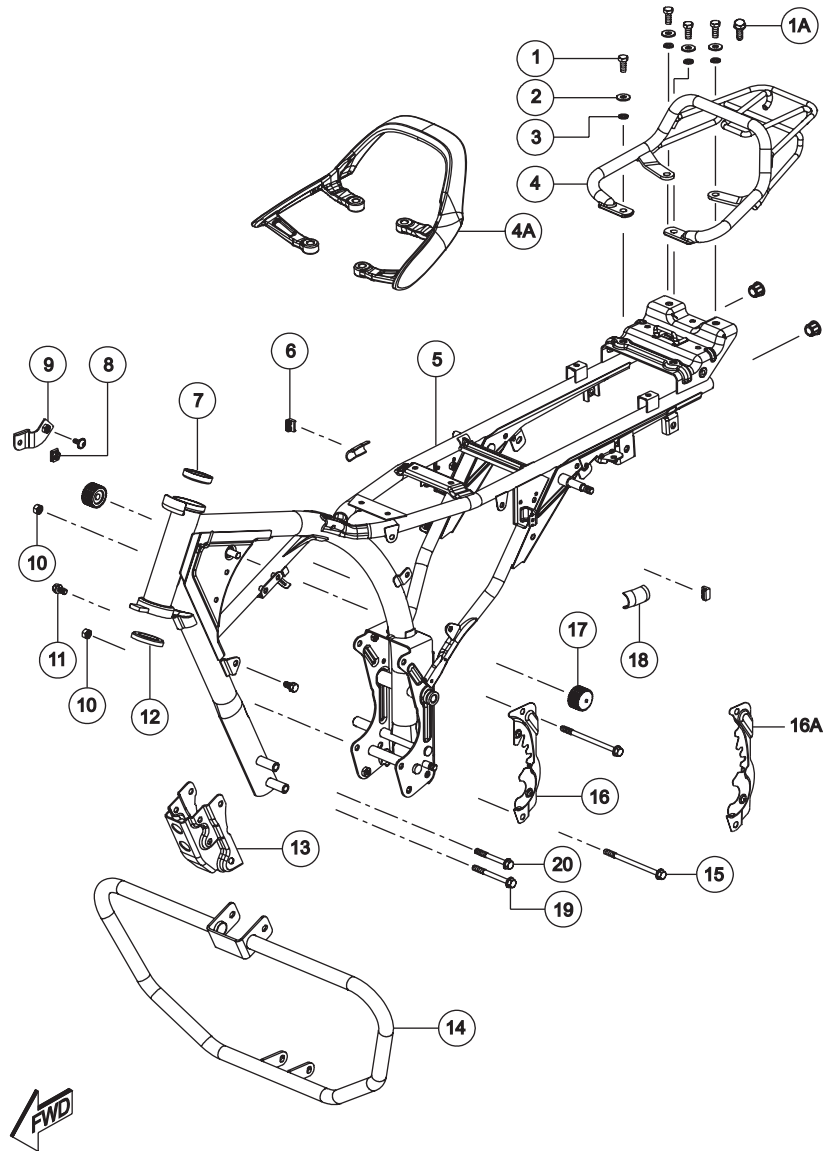
FIG.No. 15



FRAME ASSEMBLY

REF. NO.	PART NO.	DESCRIPTION	NO. OFF			REMARKS
			STAR BASIC	STAR SPORT		
				OLD	ALLOY	
1	420454700	HEX SCREW M8x20	2			
2	0336018	PUNCHED WASHER 8.5x20x2	2			
3	N8300010	PILLION HANDLE COMP.	1			
4	N3120410	PLUG TUBE UPPER	2			
5	N2140060	CUSHION FUEL TANK FRONT	2			
6	S1125290	RACE STEERING INNER	1			
7	N8120900	FRAME COMP.	1			
8	0331058	HEX BOLT M8x16	2			
9	K3100590	CUP BOTTOM	1			
10	M1200890	HEX FLANGE U NUT M8x1.25	4			
11	N3200160	HEX NUT M8	2			
12	N2121260	GROMMET COVER FRAME	2			
13	N8121490	DUST COVER CRANKCASE	1			
14	N3200100	HEX FLANGE BOLT M8x80	2			
15	0331278	HEX FLANGE BOLT M8x115	2			
16	N8200040	HEX FLANGE BOLT M8x65	1			
17	N8200030	HEX FLANGE BOLT M8x75	1			
18	N8300030	CRASH GUARD COMP.	1			

FIG.No. 15A



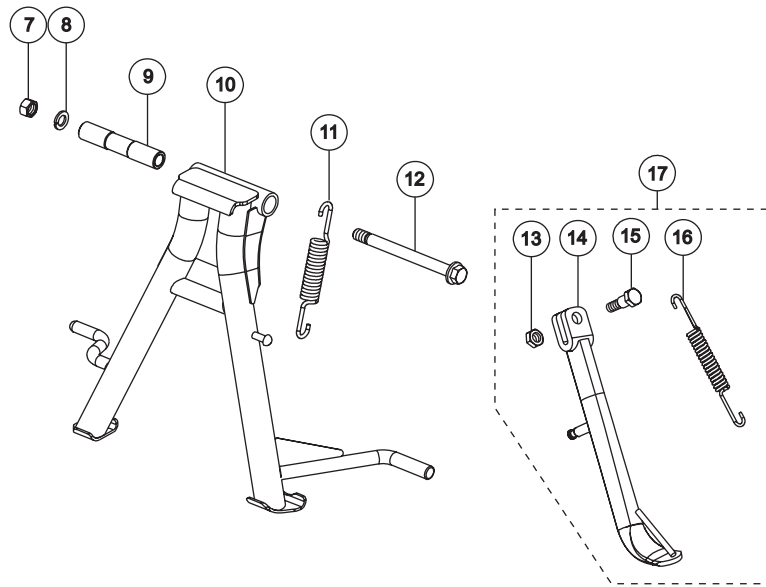
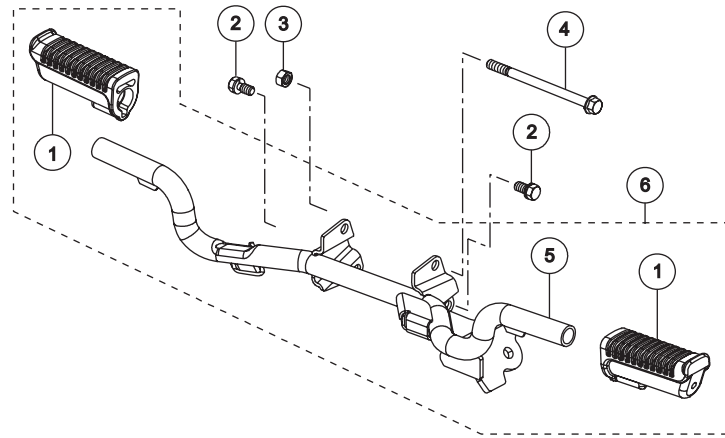
FRAME ASSEMBLY - SPORT

FIG.NO. 15A

FRAME ASSEMBLY - SPORT

REF. NO.	PART NO.	DESCRIPTION	NO. OFF			REMARKS	
			STAR BASIC	STAR SPORT			
				OLD	ALLOY		REF.
1A	M1200480	HEX FLANGE BOLT M8x25		4	4	4	
2	0336018	PUNCHED WASHER 8.5x20x2.8		4	4	4	
3	0330318	WAVE SPRING WASHER M8		4	4	4	
4A	N8221110	PILLION HANDLE COMP.		1	1	1	
5	N8122170	FRAME COMP.		1	1	1	
6	N8220490	GROMMET COVER FRAME		2	2	2	
7	S1125290	RACE STEERING INNER		1	1	1	
8	S1200700	RETAINER CLIP COMP.		1	1	1	
9	N9120770	PLATE COMP. RH MTG. COVER FR.		1	1	1	
10	0334548	HEX NUT M8		4	4	4	
11	0331058	HEX BOLT M8x16 (SPRING WASHER)		2	2	2	
12	K3100590	CUP BOTTOM		1	1	1	
13	N8121920	BRKT FRONT ENGINE MTG.		1	1	1	
14	N8300030	CRASH GUARD COMP.		1	1	1	
15	0331278	HEX FL. BOLT M8x115		2	2	2	
16	N8121490	DUST COVER CRANKCASE KS		1	1		
16A	N8122890	DUST COVER CRANKCASE ES				1	
17	N2140060	CUSHION FUEL TANK FRONT		2	2	2	
18	N8122300	CUSHION COVER FRAME FRONT		2	2	2	
19	N3200100	HEX FL. BOLT M8x80		2	2	2	
20	N8200030	HEX FL. BOLT M8x75		1	1	1	

FIG.No. 16



CENTER STAND & FOOTREST ASSEMBLY

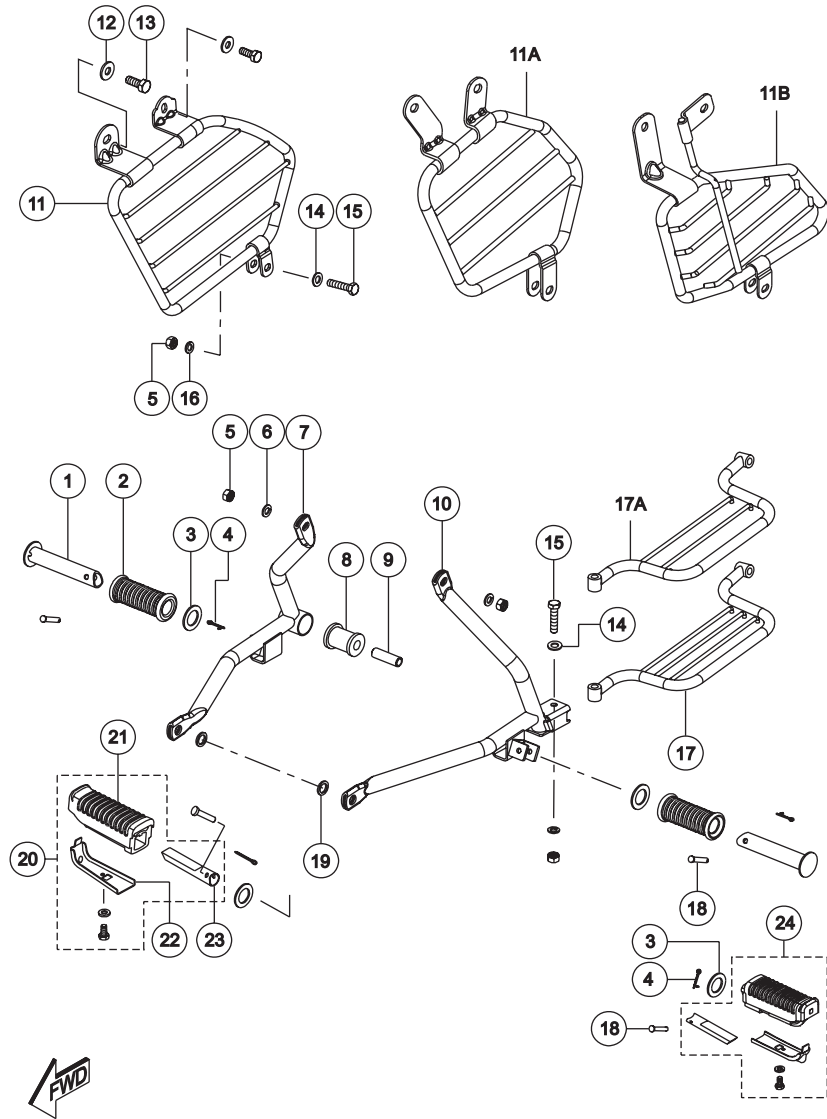
CENTER STAND & FOOTREST ASSEMBLY

REF. NO.	PART NO.	DESCRIPTION	NO. OFF				REMARKS
			STAR BASIC	STAR SPORT		REF.	
				OLD	ALLOY		
1	N3122460	RUBBER FOOTREST PILLION	2	2	2	2	
2	0331058	HEX BOLT M5x16	2	2	2	2	
3	0334548	HEX NUT M8	2	2	2	2	
4	0331278	HEX FLANGE BOLT M8x115	1	1	1	1	
5	N8120990	BAR COMP FOOTREST FRONT	1	1	1	1	
6	N8320060	FOOTREST ASSY.	1	1	1	1	
7	0334038	HEX NUT M10	1	1	1	1	
8	0330328	WAVE SPRING WASHER M10	1	1	1	1	
9	N3121540	SPACER CENTER STAND	1	1	1	1	
10	N8120930	STAND COMP. CENTER STAND	1	1	1	1	
11	N3120860	SPRING CENTER STAND	1	1	1	1	
12	N8200050	HEX FL. BOLT M10x1.25x110	1	1	1	1	
13	N3200160	HEX NUT M8	1	1	1	1	
14	N8121730	PROP STAND COMP.	1	1	1	1	
15	N9200010	HEX BOLT M8x1.25x30	1	1	1	1	
16	N8121890	SPRING PROP STAND	1	1	1	1	
17	N8320080	PROP STAND KIT	1	1	1	1	**

** - REF. KIT & KIT CONTENTS

PILLION FOOTREST ASSEMBLY LH & RH

FIG.No. 17

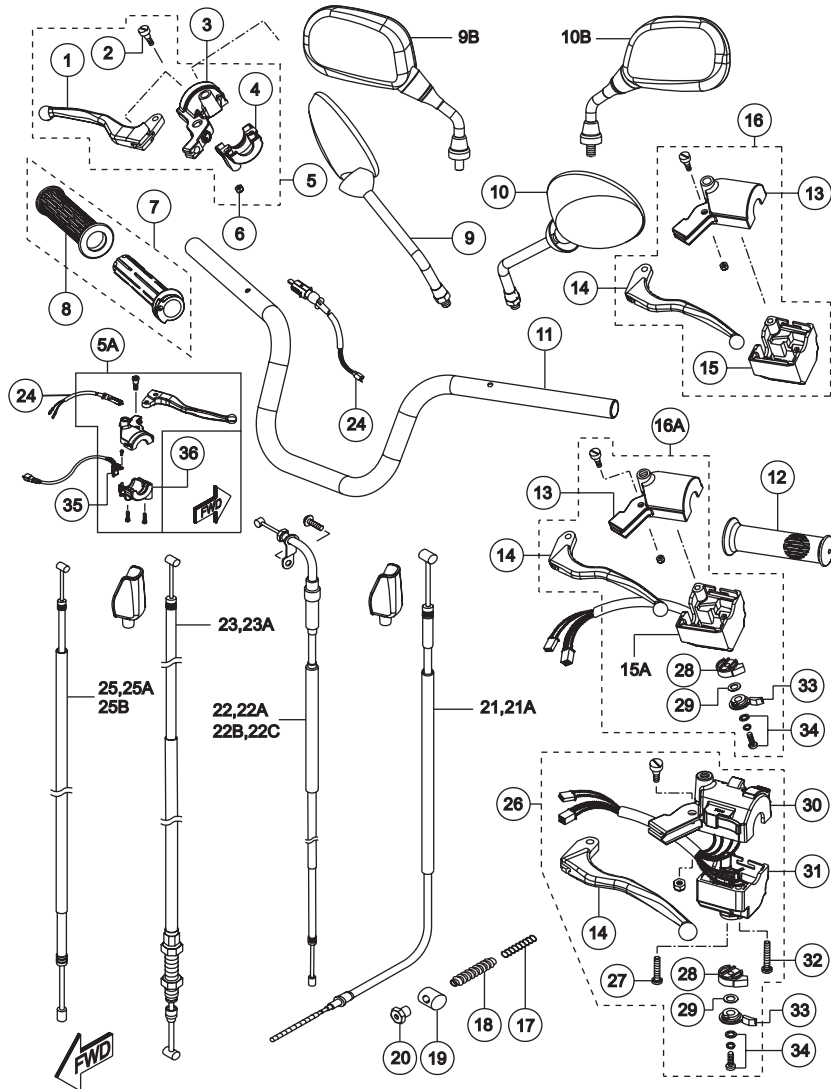


PILLION FOOTREST ASSEMBLY LH & RH

REF. NO.	PART NO.	DESCRIPTION	NO. OFF				REMARKS
			STAR BASIC	STAR SPORT		REF.	
				OLD	ALLOY		
1	0250028	BAR COMP PILLION FOOTREST	2	2	2	2	
2	0258100	RUBBER PILLION FOOTREST	2	2	2	2	
3	0335728	PUNCHED WASHER	2	2	2	2	
4	0330048	SPLIT PIN	2	2	2	2	
5	0334548	HEX NUT M8	4	4	4	4	
6	A200500	WAVE SPRING WASHER	3	3	3	3	
7	N8121640	TUBE PILLION FOOTREST RH	1	1	1	1	
8	N2121060	CUSHION EXHAUST MTG.	1	1	1	1	
9	N3050350	SPACER MUFFLER BRKT.	1	1	1	1	
10	N8121590	TUBE PILLION FOOTREST LH	1	1	1	1	
11	N8300020	SAREE GUARD COMP. STAR	1				
11A	N8220190	SAREE GUARD COMP.		1	1	1	
11B	N8221080	SAREE GUARD COMP. SPORT					
12	0336018	PUNCHED WASHER 8.5x20x2	2	2	2	2	
13	420452700	HEX SCREW M6x12	2	2	2	2	
14	420007700	PUNCHED WASHER	2	2	2	2	
15	S1101250	HEX BOLT M8x35	2	2	2	2	
16	0330318	WAVE SPRING WASHER	1	1	1	1	
17	N8300040	FOOTREST COMP. PILLION STAR	1				
17A	N8220200	FOOTREST COMP. PILLION		1	1	1	
18	S1125300	PIN PILLION FOOTREST	2	2	2	2	
19	0335708	PUNCHED WASHER 15.5x26x2.3	2	2	2	2	
20	N3120940	HOLDER ASSY. RH PILLION	1	1*			
21	N3120630	RUBBER FOOTREST PILLION	2	2*			
22	N3120890	PLATE FOOTREST	2	2*			
23	N3120650	HOLDER FOOTREST PILLION	2	2*			
24	N3120910	HOLDER ASSY. LH PILLION	1	1*			

* - APPLICABLE FOR THE VEHICLES PRODUCTION BEFORE 2005

FIG.No. 18



HANDLE BAR ASSEMBLY

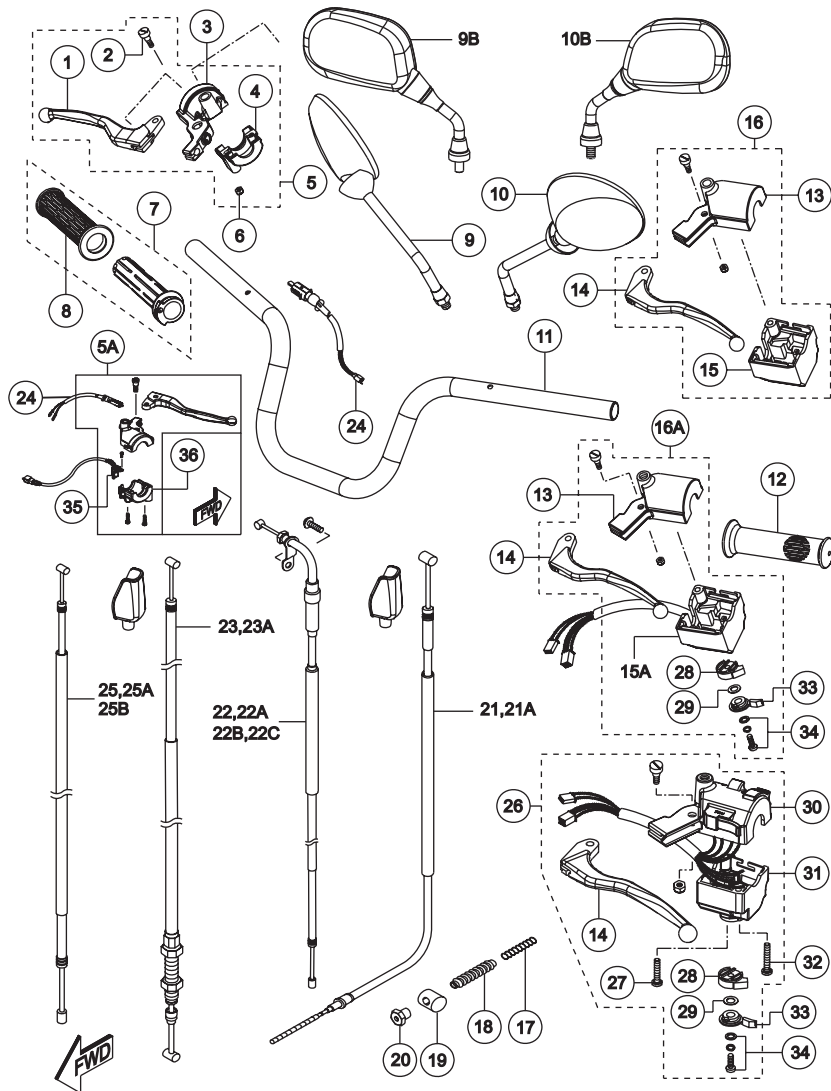
FIG.NO. 18

HANDLE BAR ASSEMBLY

REF. NO.	PART NO.	DESCRIPTION	NO. OFF				REMARKS
			STAR BASIC	STAR SPORT		REF.	
				OLD	ALLOY		
1	N5150150	BRAKE LEVER	1	1	1	1	
2	N3150280	SPECIAL BOLT M5	2	2	2	2	
3	N8150150	HOLDER BRAKE	1	1	1	1	
4	N8160200	CASE UNDER RH	1	1	1	1	KS
5	N8150120	BRAKE LEVER & SWITCH ASSY. RH	1	1	1	1	KS
5A	N8160480	SWITCH ASSY. RH				1	ES
6	415021000	NYLON LOCK NUT M5 x 0.8	2	2	2	2	
7	N8150190	GRIP COMP. THROTTLE	1	1	1	1	
8	0168510	RUBBER THROTTLE GRIP	1	1	1	1	
9	N8150100	MIRROR ASSY. RH	1				
9A	N8220430	MIRROR ASSY. RH		1			N.I
9B	N8221100	MIRROR ASSY RH (DUAL TONE)			1	1	
10	N8150090	MIRROR ASSY. LH	1				
10A	N8220420	MIRROR ASSY. LH		1			N.I
10B	N8221090	MIRROR ASSY LH (DUAL TONE)			1	1	
11	N8150110	HANDLE BAR	1	1	1	1	
11A	N8150380	HANDLE BAR					
12	N8150180	GRIP LH	1	1	1	1	
13	N8150160	HOLDER CLUTCH	1				
14	N5150120	CLUTCH LEVER	1	1	1	1	
15	N8160190	CASE UNDER LH	1*				
15A	N8150240	CASE UNDER LH (W. CHOKE PROV.)	1				
16	N8150050	CONTROL SWITCH ASSY. LH	1*				
16A	N8150220	CONTROL SWITCH ASSY. LH	1				
17	N2110690	SPRING FRONT BRAKE CABLE	1	1	1	1	
18	N2110680	DUST SEAL FRONT BRAKE CABLE	1	1	1	1	

* - APPLICABLE FOR THE VEHICLES PRODUCTION BEFORE 2005
 N.I - NOT ILLUSTRATED

FIG.No. 18



HANDLE BAR ASSEMBLY

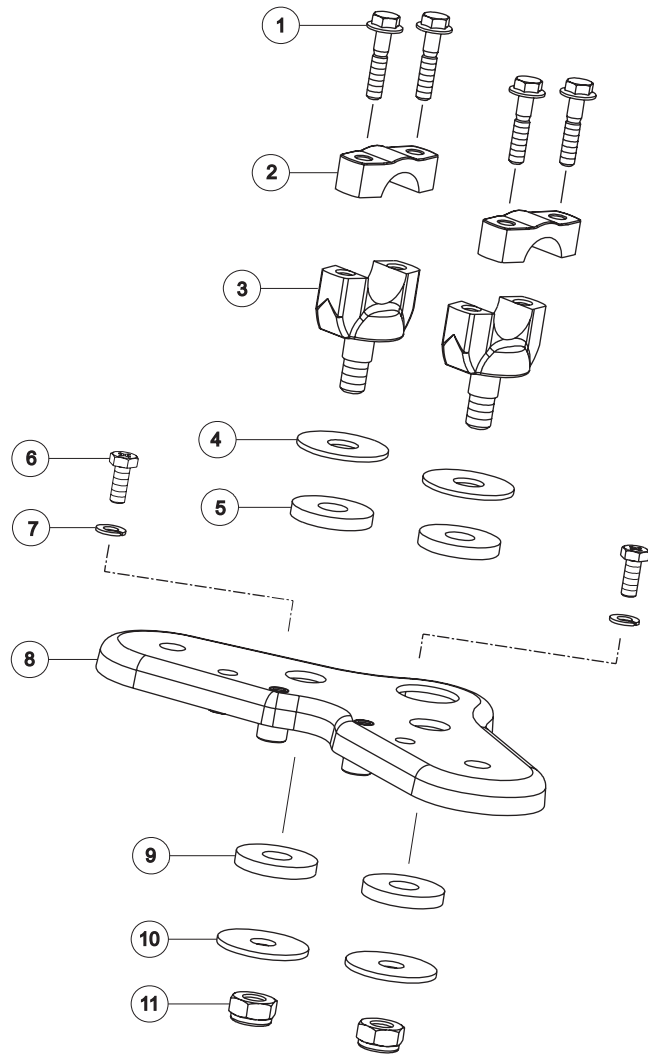
FIG.NO. 18

HANDLE BAR ASSEMBLY

REF. NO.	PART NO.	DESCRIPTION	NO. OFF				REMARKS
			STAR BASIC	STAR SPORT			
				OLD	ALLOY	REF.	
19	S1111940	PIN FRONT CABLE LEVER	1	1	1	1	
20	0334268	NUT FRONT BRAKE CABLE ADJ.	1	1	1	1	
21	N5170020	CABLE ASSY. FRONT BRAKE	1	1		1	SPOKE
21A	N3170010	CABLE ASSY. FRONT BRAKE			1	1	ALLOY
22	N8170050	CABLE ASSY. THROTTLE	1	1	1		SPACO
22A	N8170100	CABLE ASSY. THROTTLE		1	1		KEIHIN
22B	N8170170	CABLE ASSY. THROTTLE				1	SPACO
22C	N8170220	CABLE ASSY. THROTTLE				1	KEIHIN
22D	N8170200	CABLE ASSY. THROTTLE					
23	N8170040	CABLE ASSY. CLUTCH	1	1	1	1	
24	N3320510	SWITCH STOP LAMP FRONT	1	1	1	1	
25	0167060	CABLE ASSY. CHOKE	1*	1			USE WITH SPACO
25A	N8170130	CABLE ASSY. CHOKE		1	1	1	USE WITH KEIHIN
26	N8160390	CONTROL SWITCH ASSY. LH		1	1	1	
27	0332808	CRR PAN HEAD SCREW M5x25		1	1	1	
28	3168610	BODY CHOKE LEVER	1	1	1	1	
29	3160424	ADJUSTER WASHER	1	1	1	1	
30	N8160440	HOLDER CLUTCH		1	1	1	
31	N8160450	CASE UNDER LH		1	1	1	
32	0331728	CRR PAN HEAD SCREW M5x30		1	1	1	
33	3168600	LEVER CHOKE	1	1	1	1	
34	3160725	SET SCREW	1	1	1	1	
35	N8160950	SWITCH STARTER				1	ES
36	N8160940	CONTROL SWITCH CASE UNDER RH				1	ES

* - APPLICABLE FOR THE VEHICLES PRODUCED AFTER JULY 2005

FIG.No. 19



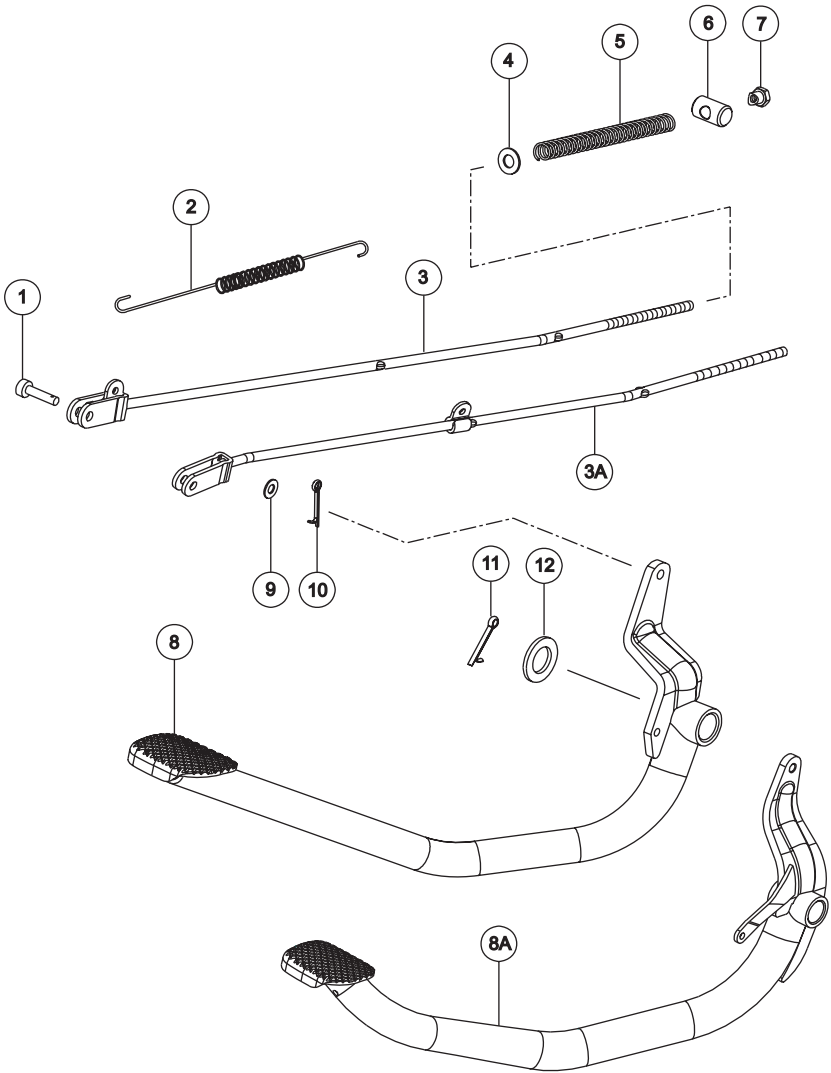
HANDLE HOLDER ASSEMBLY

FIG.NO. 19

HANDLE HOLDER ASSEMBLY

REF. NO.	PART NO.	DESCRIPTION	NO. OFF				REMARKS
			STAR BASIC	STAR SPORT			
				OLD	ALLOY	REF.	
1	N3200270	HEX FLANGE BOLT M6x30	4	4	4	4	
2	N3150250	HANDLE HOLDER UPPER	2	2	2	2	
3	N3150240	HANDLE HOLDER LOWER	2	2	2	2	
4	9200150	3D WASHER A12.5	2	2	2	2	
5	N3150230	CUSHION UPPER	2	2	2	2	
6	N5200340	HEX SCREW M6x16	2	2	2	2	
7	0330408	WAVE SPRING WASHER M6	2	2	2	2	
8	N2100020	UPPER BRKT COMP.	1	1	1	1	
9	N3150220	CUSHION BOTTOM	2	2	2	2	
10	9200160	WASHER A10.3	2	2	2	2	
11	N3200040	NYLOCK NUT M10x1.25	2	2	2	2	

FIG.No. 20

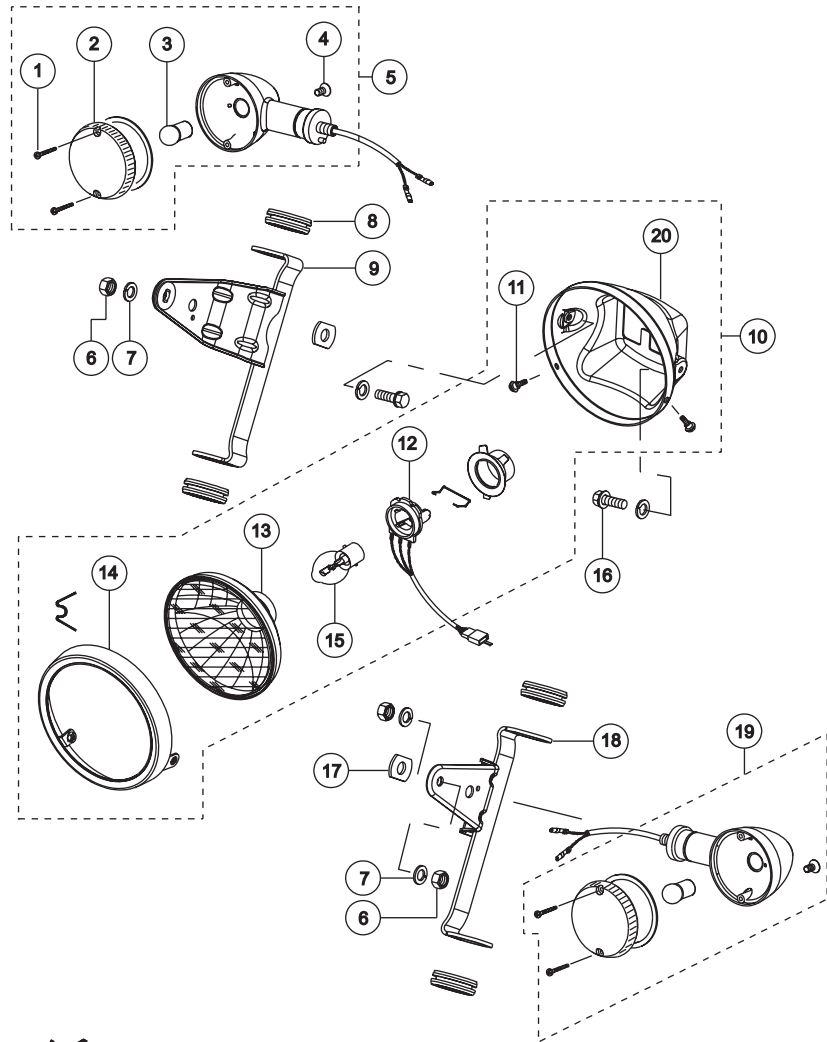


BRAKE PEDAL ASSEMBLY

BRAKE PEDAL ASSEMBLY

REF. NO.	PART NO.	DESCRIPTION	NO. OFF				REMARKS
			STAR BASIC	STAR SPORT			
				OLD	ALLOY	REF.	
1	N2110600	PIN REAR BRAKE CONNECTOR	1	1	1	1	
2	N2110700	BRAKE RETURN SPRING	1	1	1	1	
3	N8110970	ROD COMP. REAR BRAKE	1	1	1	1	
4	0335578	PUNCHED WASHER	1	1	1	1	
5	N3110360	SPRING RR BRAKE ROD ADJUSTER	1	1	1	1	
6	S1111390	PIN REAR BRAKE ROD LEVER	1	1	1	1	
7	0334278	NUT REAR BRAKE ROD ADJ.	1	1	1	1	
8	N3111020	PEDAL COMP. BRAKE	1	1	1	1	
9	0335558	PUNCHED WASHER 5.5x12x1	1	1	1	1	
10	0330048	SPLIT PIN 2.0x20	1	1	1	1	
11	0330028	SPLIT PIN 3.2x25	1	1	1	1	
12	0335708	PUNCHED WASHER 15.5x26x2.3	1	1	1	1	

FIG.No. 21



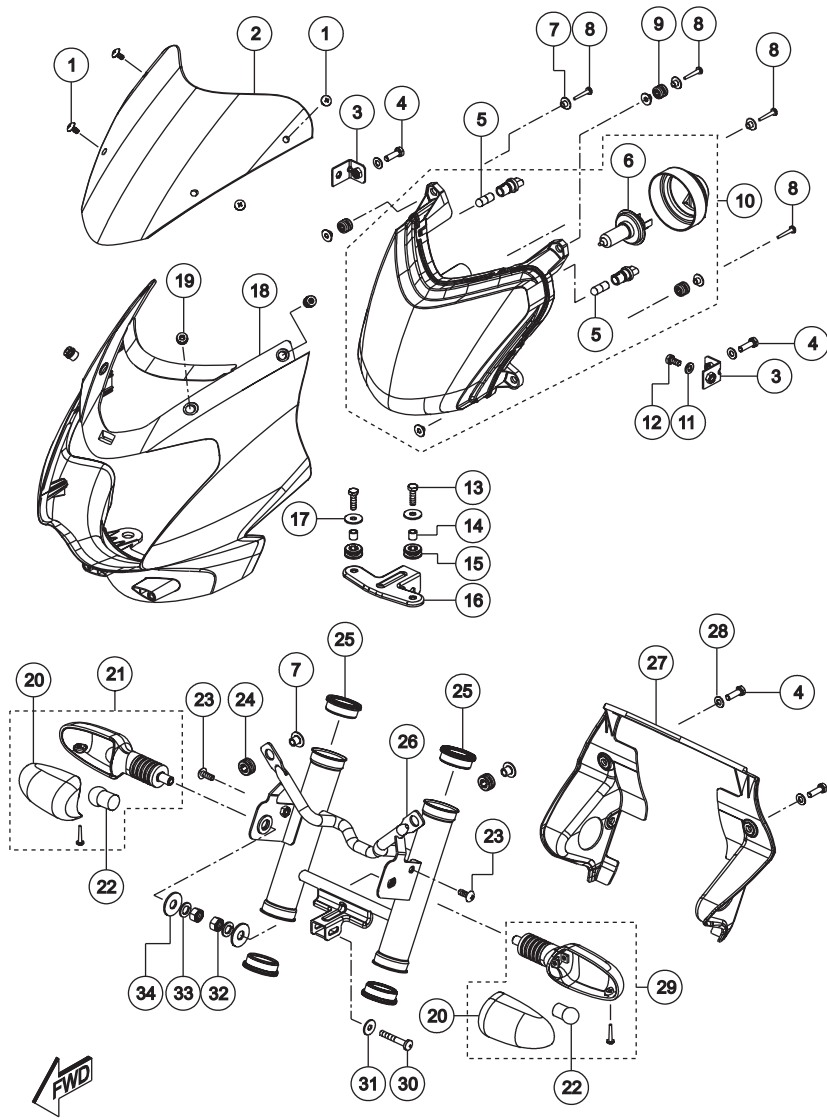
HEAD LAMP ASSEMBLY

FIG.NO. 21

HEAD LAMP ASSEMBLY

REF. NO.	PART NO.	DESCRIPTION	NO. OFF				REMARKS
			STAR BASIC	STAR SPORT			
				OLD	ALLOY	REF.	
1	N8320700	SCREW TS LAMP	4				
2	N8160170	LENS TURN SIGNAL LAMP	2				
3	N3160230	BULB TURN SIGNAL LAMP	2				
4	N8320710	SPECIAL SCREW M6x1	2				
5	N8160070	TURN SIGNAL LAMP ASSY. FR RH	1				
6	0334038	HEX NUT M10	2				
7	0330328	WAVE SPRING WASHER M10	2				
8	7100380	PACKING	4				
9	N8100600	STAY COMP. RH HEAD LAMP	1				
10	N8160040	HEAD LAMP ASSY.	1				
11	M7320680	SCREW SPL. HEAD LAMP	2				
12	N8160320	BULB HOLDER	1				
13	N8320830	REFLECTOR HEAD LAMP	1				
14	N8320220	RIM HEAD LAMP	1				
15	S1160150	BULB 12V 35/35W	1				
16	8200080	CROWN BOLT	2				
17	0228070	CUSHION	2				
18	N8100590	STAY COMP. LH HEAD LAMP	1				
19	N8160060	TURN SIGNAL LAMP ASSY. FR LH	1				
20	N8320820	COVER HEADLAMP	1				

FIG.No.21A



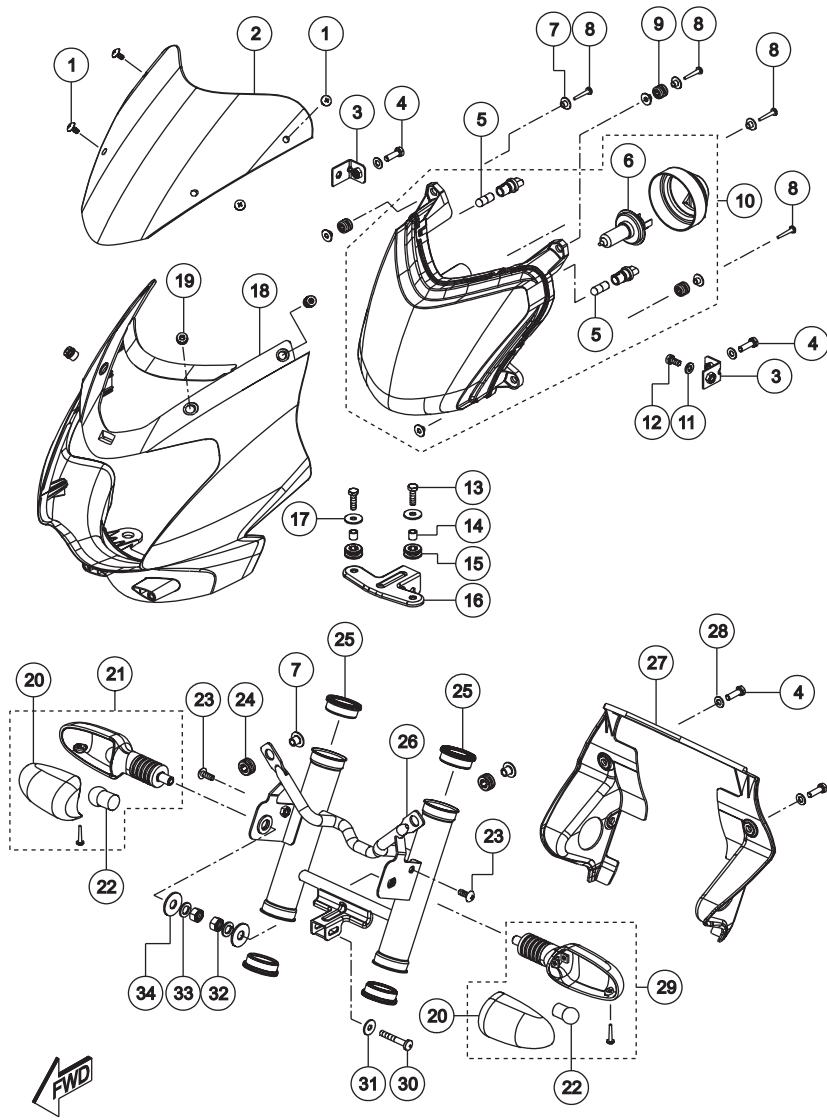
HEAD LAMP ASSEMBLY (SPORT)

HEAD LAMP ASSEMBLY (SPORT)

REF. NO.	PART NO.	DESCRIPTION	NO. OFF			REMARKS	
			STAR BASIC	STAR SPORT			
				OLD	ALLOY		REF.
1	N8220370	VISOR HEAD LAMP		1	1	1	REF. PAGE No.75
2	M7121680	BRKT COMP. HOUSING HEAD LAMP		2	2	2	
3	N3200150	HEX FLANGE BOLT M6x16		6	6	6	
4	K3200840	RETAINER CLIP COMP. PANEL		4	4	4	
5	N8220460	CLIP HEAD LAMP		2	2	2	
6	N8160340	HEAD LAMP ASSY.		1	1	1	
7	M7160190	BULB HEAD LAMP		1	1	1	
8	5227360	BULB PILOT 12V 3.4W HEAD LAMP		1	1	1	
9	—	HOUSING HEAD LAMP FRONT		1	1	1	
10	420001700	PUNCHED WASHER A6.6		2	2	2	
11	N3120140	BUSH TAIL COVER		2	2	2	
12	N3120130	GROMMET HEAD LAMP		2	2	2	
13	M1200610	HEX SCREW M6x20		4	4	4	
14	420201000	MULTI TOOTH LOCK WASHER A6.4		1	1	1	
15	N8160350	SPL HEX FLANGE BOLT M4x12		1	1	1	
16	N8321770	INSERT NUT		1	1	1	
17	N8220510	BRKT LICENCE PLATE		1	1	1	
18	0332408	CRR PAN HEAD SCREW M5x20		2	2	2	
19	N3211120	LICENCE PLATE FRONT		1	1	1	
20	N8200080	CRR FL. PAN HD SCREW M5x10		2	2	2	

HEAD LAMP ASSEMBLY (SPORT)

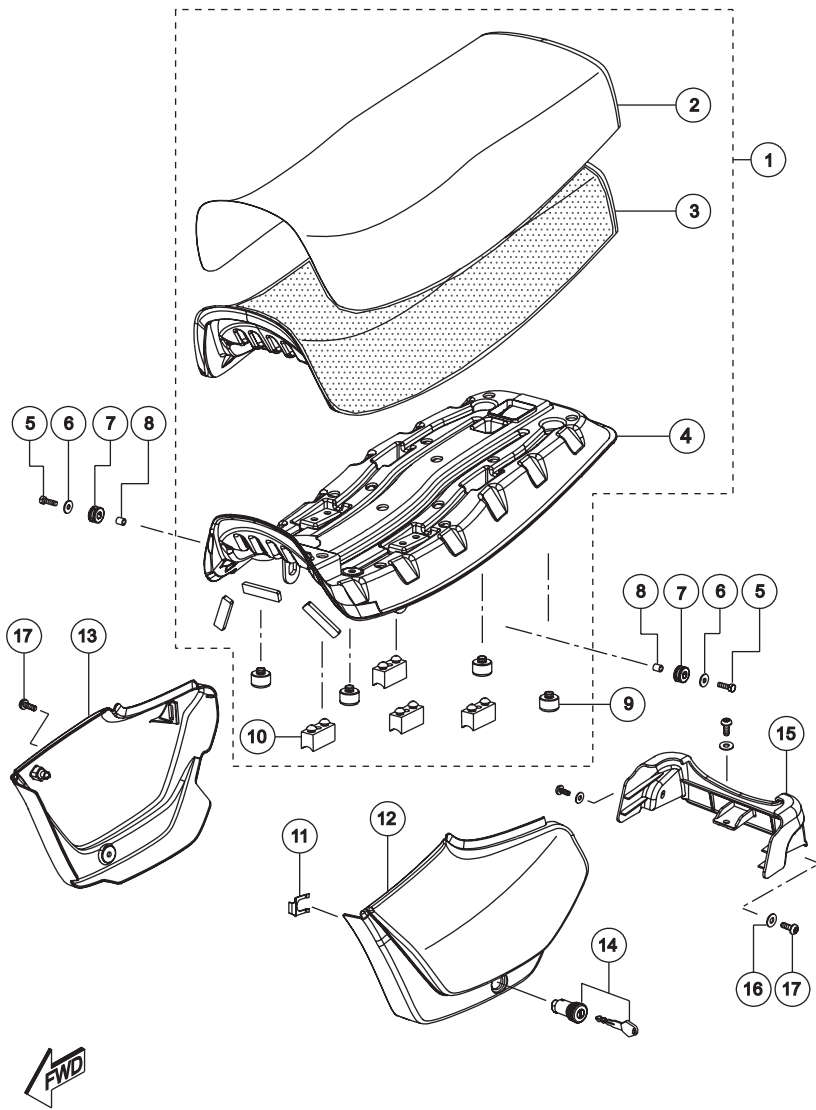
FIG.No.21A



HEAD LAMP ASSEMBLY (SPORT)

REF. NO.	PART NO.	DESCRIPTION	NO. OFF			REMARKS	
			STAR BASIC	STAR SPORT			
				OLD	ALLOY		REF.
21	N8321130	LENS CUM REFLECTOR UNIT		2	2	2	
22	1220230	BULB TURN SIGNAL LAMP		2	2	2	
23	N8160290	TURN SIGNAL LAMP ASSY. FR. RH		1	1	1	
24	N8220410	BRKT COMP. HEAD LAMP HOUSING		1	1	1	
25	N8220440	HOUSING HEAD LAMP REAR		1	1	1	
26	M1200610	HEX SCREW M6x20		2	2	2	
27	N3120140	BUSH TAIL COVER		2	2	2	
28	N8220180	GROMMET TAIL COVER		2	2	2	
29	N5200440	CRR PAN HEAD SCREW M6x20		2	2	2	
30	N8160280	TURN SIGNAL LAMP ASSY. FR. LH		1	1	1	
31	N8220500	PLUG BRKT HOUSING HEAD LAMP		2	2	2	

FIG.No. 22



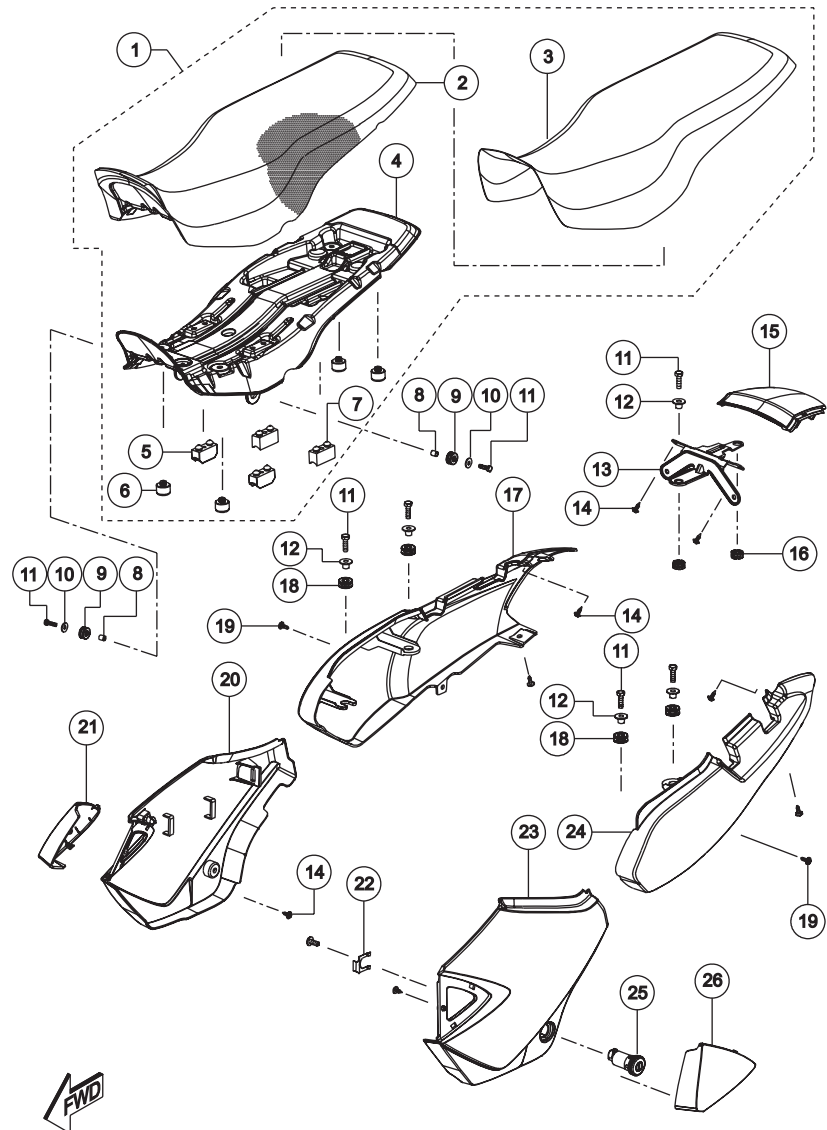
COVER FRAME & SEAT ASSY.

FIG.NO. 22

COVER FRAME & SEAT ASSY.

REF. NO.	PART NO.	DESCRIPTION	NO. OFF				REMARKS
			STAR BASIC	STAR SPORT			
				OLD	ALLOY	REF.	
1	N8130100	SEAT ASSEMBLY	1				
2	N8130160	COVER COMP. SEAT	1				
3	N8130110	SEAT FOAM	1				
4	N8130120	SEAT BASE	1				
5	420462700	HEX BOLT M6x20	2				
6	420011700	3D WASHER	2				
7	N3130060	GROMMET SEAT BASE	2				
8	N3130070	BUSH SEAT BASE	2				
9	N3130040	SEAT REST REAR	4				
10	N8130130	CUSHION SEAT BASE	4				
11	N2210030	PLATE LOCK ASSY. MTG	1				
12	—	COVER FRAME LH	1				Ref. Page No.73
13	—	COVER FRAME RH	1				Ref. Page No.73
14	N2210010	LOCK ASSY. COVER FRAME	1				
15	N8220020	COVER SEAT REAR	1				
16	0335608	PUNCHED WASHER 6.5x16x1.2	3				
17	0332275	CRR PAN HEAD SCREW M6x16	4				

FIG.No. 22A



COVER FRAME & SEAT ASSY.

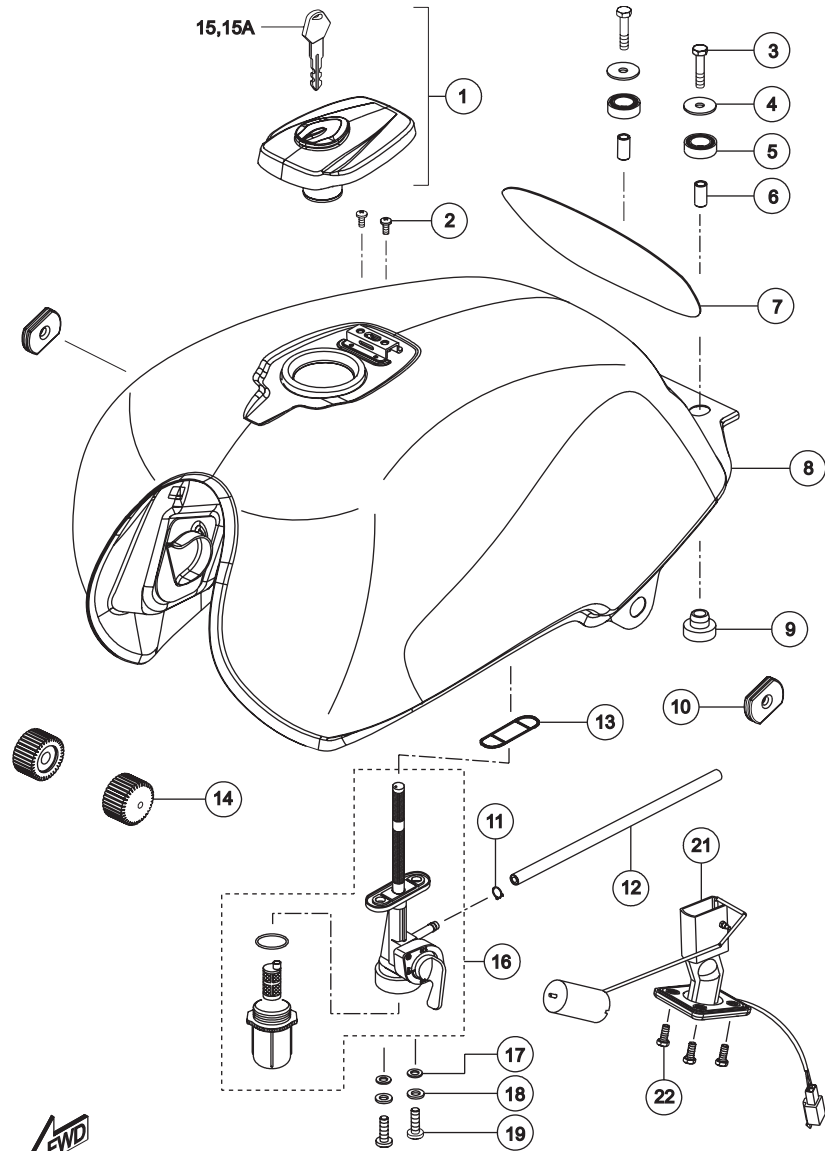
COVER FRAME & SEAT ASSY.

REF. NO.	PART NO.	DESCRIPTION	NO. OFF			REMARKS	
			STAR BASIC	STAR SPORT			
				OLD	ALLOY		REF.
1	N8130200	SEAT ASSEMBLY COMP.		1	1	1	
2	N8130180	SEAT FOAM		1	1	1	
3	N8130190	COVER COMP. SEAT		1	1	1	
4	N8130170	SEAT BASE		1	1	1	
5	N8130240	CUSHION SEAT		2	2	2	
6	N3130040	SEAT REST REAR		4	4	4	
7	N8130130	CUSHION SEAT		2	2	2	
8	N3130070	BUSH SEAT BASE		2	2	2	
9	N3130060	GROMMET SEAT BASE		2	2	2	
10	420011700	3D WASHER A6.4		2	2	2	
11	420462700	HEX BOLT M6x20		7	7	7	
12	N8122610	CUP WASHER		5	5	5	
13	N8220980	RC LAMP BRKT.		1	1	1	Replaces N8220150
14	N3200340	CRR FL. PAN HD TAP SCREW 4.2x13		6	6	6	
15	—	TAIL PIECE CENTER		1	1	1	Ref.Page No.75
16	N8220180	GROMMET TAIL COVER		2	2	2	
17	—	TAIL COVER RH		1	1	1	Ref.Page No.75
18	N3120130	GROMMET HEAD LAMP		4	4	4	
19	M1201000	CRR FL. PAN HD TAP SCREW 4x13		4	4	4	
20	—	COVER FRAME RH		1	1	1	Ref.Page No.75
21	N8220100	COVER FRAME FRONT RH BLACK		1	1	1	
22	N2210030	PLATE LOCK ASSY.		1	1	1	
23	—	COVER FRAME LH		1	1	1	Ref.Page No.75
24	—	TAIL COVER RH		1	1	1	Ref.Page No.75
25	N2210010	LOCK ASSY. COVER FRAME		1	1	1	
26	N8220090	COVER FRAME FRONT LH BLACK		1	1	1	

FUEL TANK ASSEMBLY

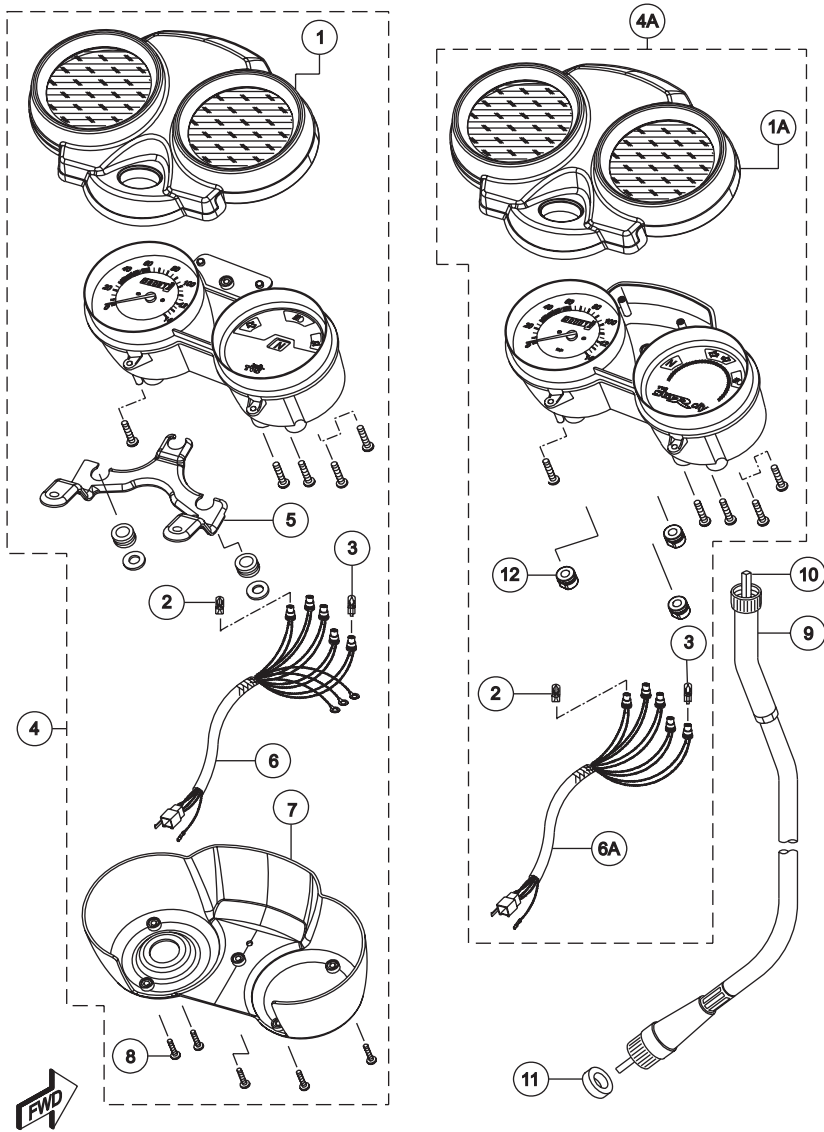
REF. NO.	PART NO.	DESCRIPTION	NO. OFF				REMARKS
			STAR BASIC	STAR SPORT			
				OLD	ALLOY	REF.	
1	N5140070	CAP ASSY. FUEL TANK	1	1	1	1	Ref.Page No.75
2	420515000	CRR PAN HEAD SCREW M4x10	2	2	2	2	
3	420476700	HEX SCREW M6x30	2	2	2	2	
4	0335876	PUNCHED WASHER 6.5x24x1.6	2	2	2	2	
5	N3140160	CUSHION FUEL TANK REAR UPPER	2	2	2	2	
6	N3140150	SPACER FUEL TANK REAR	2	2	2	2	
7	N8210070	STICKER PROTECTION	1	1	1	1	
8	—	FUEL TANK COMP.	1	1	1	1	
9	N3140170	CUSHION FUEL TANK REAR LOWER	2	2	2	2	
10	N8220400	CUSHION COVER FRAME	2	2	2	2	
11	S1140390	CLIP FUEL HOSE	1	1	1	1	
12	K140720	HOSE FUEL	1	1	1	1	
13	M1140510	O RING FUEL COCK	1	1	1	1	
14	N2140060	CUSHION FUEL TANK FRONT	2	2	2	2	
15	N5210590	BLANK KEY (ADEEP MAKE)	1	1	1	1	
15A	N5321340	BLANK KEY (SLD MAKE)	1	1	1	1	
16	M1140380	COCK ASSY. FUEL	1	1	1	1	
17	N3140120	GASKET FUEL COCK	2	2	2	2	
18	420001700	PUNCHED WASHER A6.6	2	2	2	2	
19	K200700	CRR PAN HEAD SCREW M6x25	1	1	1	1	
21	N8160510	FUEL SENDER UNIT		1	1	1	
22	N8200210	SPL HEX FL. BOLT M5x12 (F.G)		4	4	4	

FIG.No. 23



FUEL TANK ASSEMBLY

FIG.No. 24

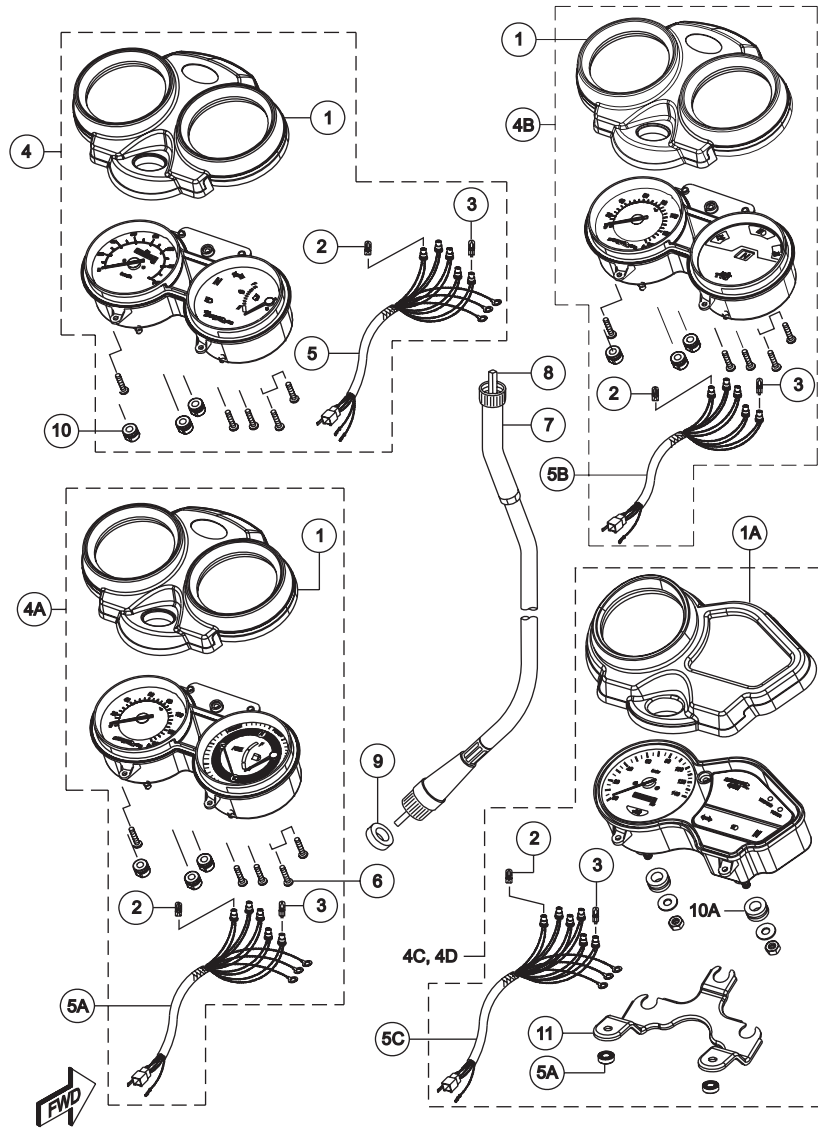


SPEEDOMETER ASSEMBLY

SPEEDOMETER ASSEMBLY

REF. NO.	PART NO.	DESCRIPTION	NO. OFF				REMARKS
			STAR BASIC	STAR SPORT			
				OLD	ALLOY	REF.	
1	N8320230	TOP COVER SPEEDOMETER	1				
1A	N8321010	TOP COVER SPEEDOMETER		1			
2	N3160610	BULB 12V 3.4W	2	2			
3	N5320860	BULB 12V 1.7W	3	3			
4	N8150080	SPEEDOMETER ASSY.	1				
4A	N8220520	SPEEDOMETER ASSY. (W/O F I)		1			
5	N8320250	SPEEDO MTG. BRKT.	1				
6	N8160330	WIRING HARNESS SPEEDO	1				
6A	N8160540	WIRING HARNESS SPEEDO		1			
7	N8320240	SPEEDO COVER BOTTOM	1				
7A	N8321020	SPEEDO COVER BOTTOM		1			
8	N8320690	SPEEDO SCREW KIT	1	1			
9	N8170030	CABLE ASSY. SPEEDOMETER	1	1			(SPOKE)
10	N8320800	SPEEDO CABLE INNER	1	1			
11	N3170080	SEAL COMP. SPEEDO CABLE	1	1			
12	N8220560	GROMMET SPEEDO METER		3			

FIG.No. 24A



SPEEDOMETER ASSEMBLY

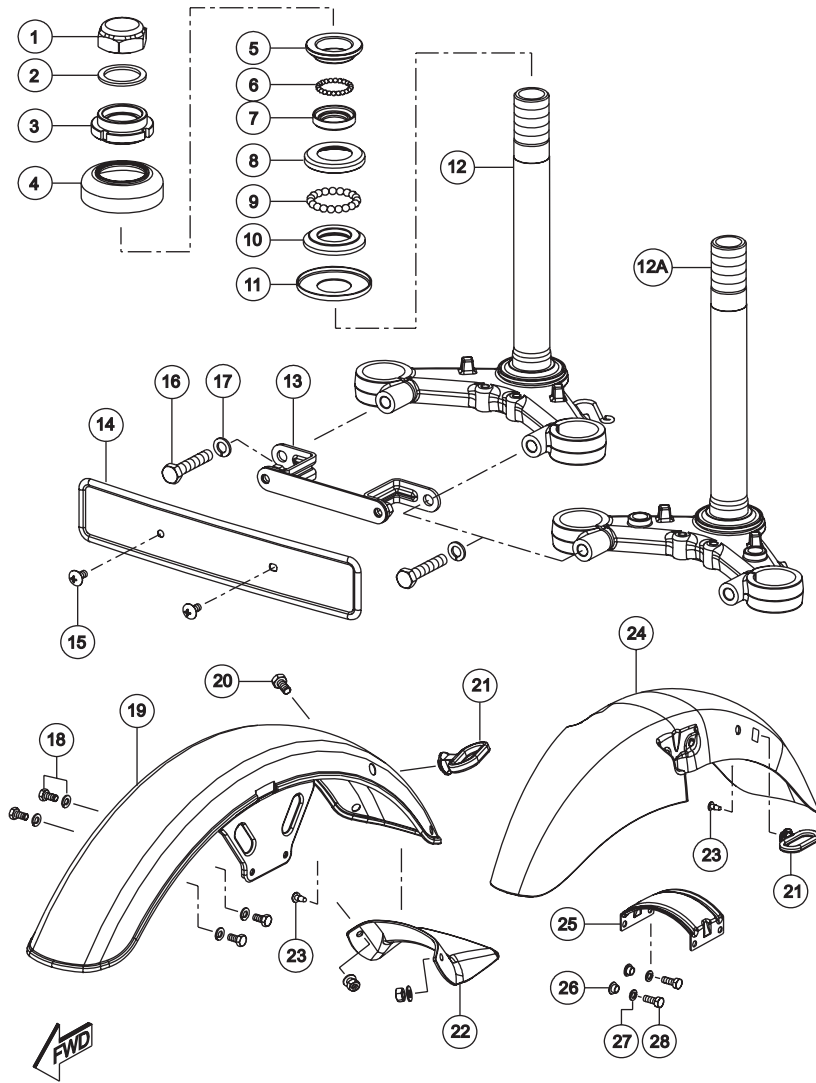
SPEEDOMETER ASSEMBLY

REF. NO.	PART NO.	DESCRIPTION	NO. OFF				REMARKS
			STAR BASIC	STAR SPORT		REF.	
				OLD	ALLOY		
1	N8321010	TOP COVER SPEEDOMETER			1	1	
2	N3160610	BULB 12V 3.4W			2	2	
3	N5320860	BULB 12V 1.7W			3	3	
4	N8220870	SPEEDOMETER ASSY. (With F I)			1		
4A	N8221150	SPEEDOMETER (W/O F I)				1	
4B	N8221120	SPEEDOMETER ASSY. (With F I)					1
5	—	WIRING HARNESS SPEEDO			1		
5A	N8160880	WIRING HARNESS SPEEDO (W F. I)					1
5B	N8160870	WIRING HARNESS SPEEDO (W/O F. I)					1
6	N8320690	SPEEDO SCREW KIT			1	1	
7	N9170010	CABLE ASSY. SPEEDOMETER			1	1	
7A	N8170030	CABLE ASSY. SPEEDOMETER					1
8	—	SPEEDO CABLE INNER			1	1	(ALLOY)
8A	N8320800	SPEEDO CABLE INNER			1		(SPOKE)
9	N3170080	SEAL COMP. SPEEDO CABLE			1	1	
10	N8220560	GROMMET SPEEDO METER			3	3	

FIG.NO. 25

UNDER BRACKET ASSEMBLY

FIG.No. 25



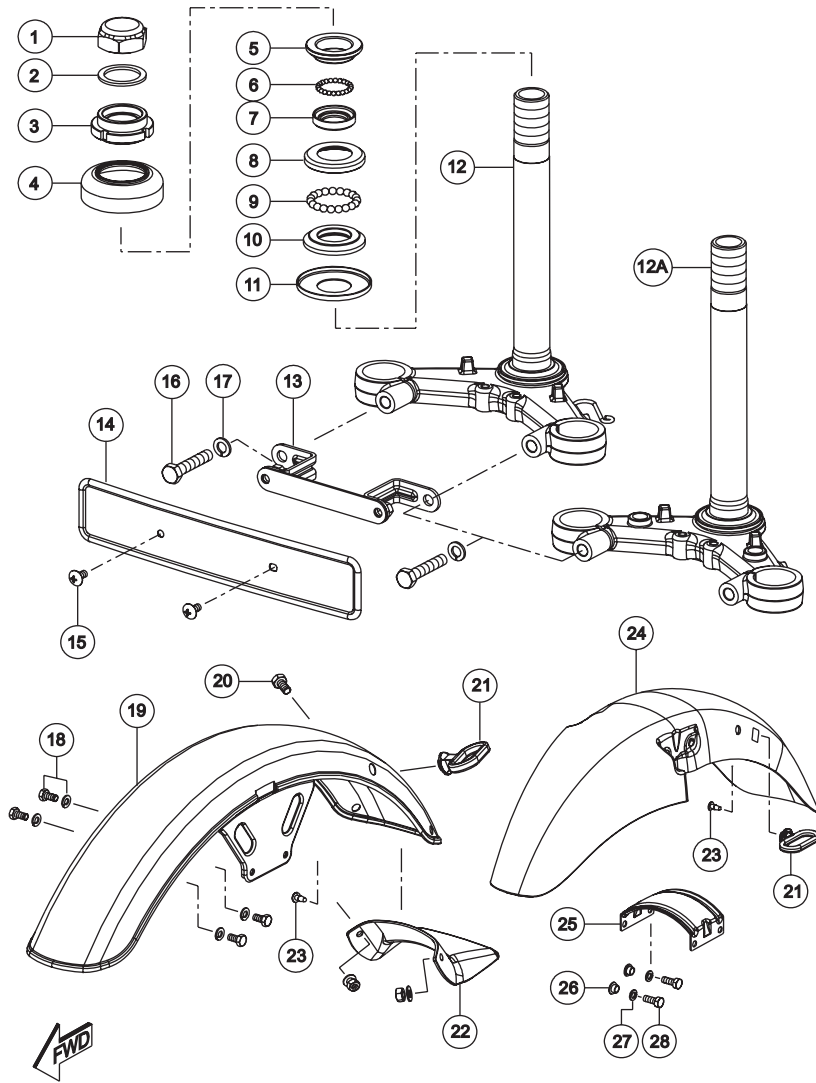
UNDER BRACKET ASSEMBLY

REF. NO.	PART NO.	DESCRIPTION	NO. OFF				REMARKS
			STAR BASIC	STAR SPORT			
				OLD	ALLOY	REF.	
1	N2100170	LOCK NUT STEERING STEM	1	1	1	1	
2	410043700	SPECIAL WASHER	1	1	1	1	
3	N2100180	ARRESTER STEERING STEM	1	1	1	1	
4	M7101170	DUST SEAL	1	1	1	1	
5	S1101150	RACE STEERING OUTER	1	1	1	1	
6	420404000	BALL DIA (4.76)	22	22	22	22	
7	S1125290	RACE STEERING INNER	1	1	1	1	
8	K3100590	CUP BOTTOM	1	1	1	1	
9	K3200450	BALL DIA (6.35)	19	19	19	19	
10	N8120910	CONE BOTTOM	1	1	1	1	
11	N8120920	DUST SEAL STEERING LOWER	1	1	1	1	
12	N8100680	UNDER BRKT COMP.	1				
12A	N8101500	UNDER BRKT COMP.		1	1	1	
13	N8121850	BRKT COMP. LICENCE PLATE FRONT	1				
14	N3211120	LICENCE PLATE FRONT	1	1	1	1	
15	N8200080	CRR PAN HEAD SCREW M5x12	2	2	2	2	
16	420955700	HEX SCREW M8x40	2				
17	N5200610	WAVE SPRING WASHER M8	2				
18	0331058	HEX BOLT + SPRING WASHER	4				
19	1102510	FENDER COMP. FRONT PLATED	1				
20	420452700	HEX SCREW M6x12	2				
21	N3100220	GUIDE CABLE	1	1	1	1	
22	1102560	MUD FLAP	1				
23	N3100230	CLIP	1	1	1	1	
24	—	FRONT FENDER		1			
							REF.PAGE No.75

FIG.NO. 25

UNDER BRACKET ASSEMBLY

FIG.No. 25

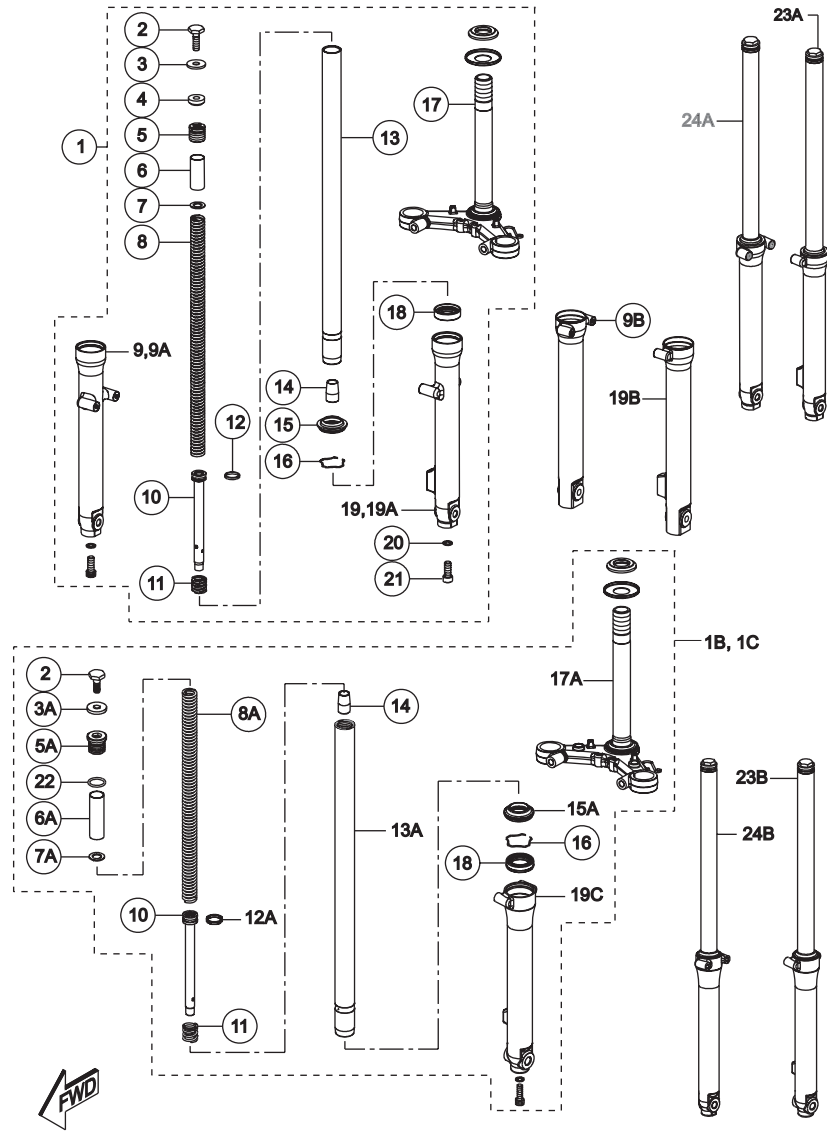


UNDER BRACKET ASSEMBLY

REF. NO.	PART NO.	DESCRIPTION	NO. OFF			REMARKS
			STAR BASIC	STAR SPORT		
				OLD	ALLOY	
25N5	101690	BRACE FENDER FRONT (SPOKE)		1		
25A	N2100150	BRACE FENDER FRONT (ALLOY)			1	1
26	N5101200	SPACER FENDER FRONT		4	4	4
27	0330318	WAVE SPRING WASHER M8		4	4	4
28	420454700	HEX SCREW M8x20		4	4	4
29	N8320070	STEERING CONE KIT	1	1	1	1
						**

** - REF. KIT & KIT CONTENTS

FIG.No. 26



FRONT FORK ASSEMBLY

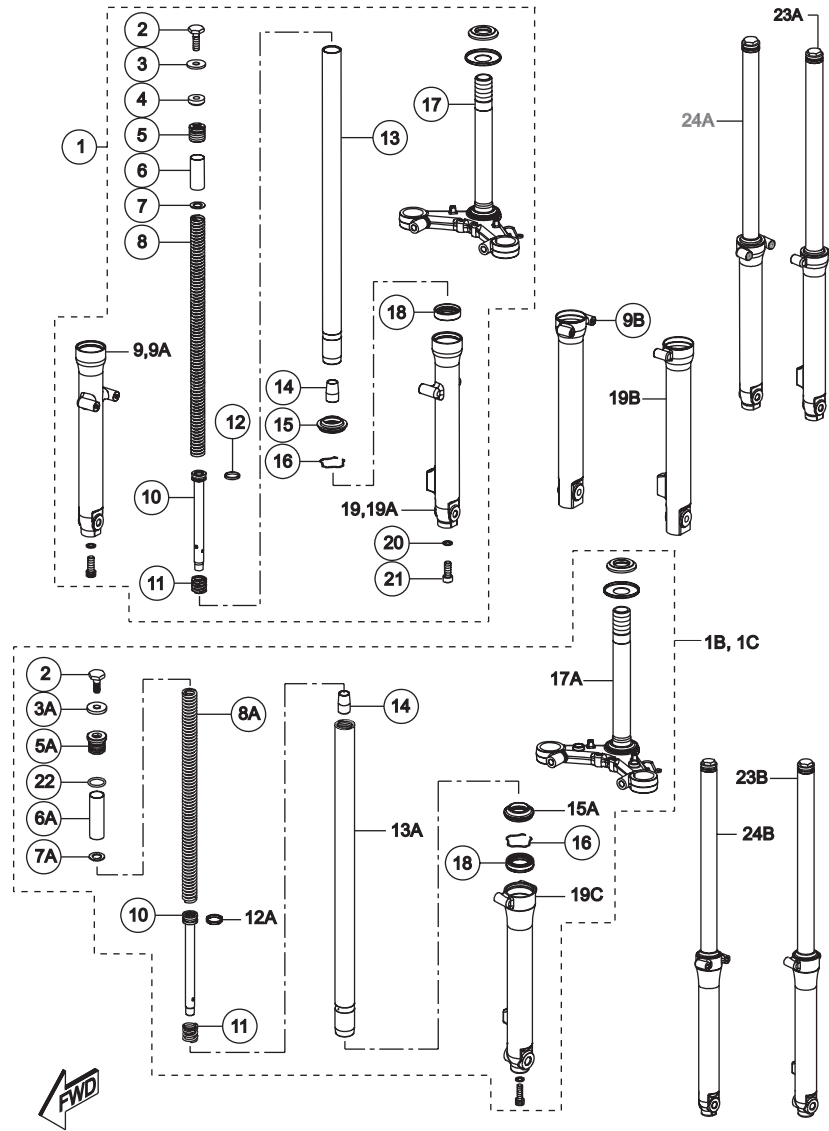
FIG.NO. 26

FRONT FORK ASSEMBLY

REF. NO.	PART NO.	DESCRIPTION	NO. OFF				REMARKS
			STAR BASIC	STAR SPORT			
				OLD	ALLOY	REF.	
1	N8100970	FORK ASSY. FRONT	1*				
1A	N8101200	FORK ASSY. FRONT	1				
1B	N8101550	FORK ASSY. FRONT		1		1	(SPOKE)
1C	N8101700	FRONT FORK ASSY - ALLOY			1	1	(ALLOY)
2	N5101999	BOLT FRONT FORK	2	2	2	2	
3	N8101240	WASHER	2	2		2	(SPOKE)
3A	N5101989	WASHER			2	2	(ALLOY)
4	1257370	PACKING	2	2	2	2	
5	N2100090	NUT FRONT FORK	2	2		2	(SPOKE)
5A	N3100090	NUT FRONT FORK			2	2	(ALLOY)
6	N8100650	SPACER	2	2		2	
6A	N3102430	SPACER			2	2	
7	N8101360	SHIM	2	2		2	(SPOKE)
7A	N8101240	SHIM			2	2	(ALLOY)
8	N8100820	SPRING FRONT FORK	2	2		2	
8A	N3100320	SPRING FRONT FORK			2	2	
9	N8101270	LEG OUTER RH (329 mm Length)	1				
9A	N8101590	LEG OUTER RH (310 mm Length)	1				
9B	N5101819	LEG OUTER RH		1		1	(SPOKE)
9C	N2100250	OUTER TUBE RH			1	1	(ALLOY)
10	N3100340	CYLINDER FRONT FORK	2	2	2	2	
11	N8101320	REBOUND SPRING	2	2	2	2	
12	N3100330	RING DAMPER PISTON	2	2	2	2	
13	N8101280	TUBE INNER (546.5 length)	2				
13A	N8101570	TUBE INNER (551mm length)	2	2	2	2	
14	N3100300	PIECE OIL LOCK	2	2	2	2	

* - APPLICABLE FOR THE VEHICLE PRODUCED BEFORE JULY 2005

FIG.No. 26



FRONT FORK ASSEMBLY

FIG.NO. 26

FRONT FORK ASSEMBLY

REF. NO.	PART NO.	DESCRIPTION	NO. OFF				REMARKS
			STAR BASIC	STAR SPORT			
				OLD	ALLOY	REF.	
15	N8101370	SEAL DUST	2				
15A	N8101560	SEAL DUST		2		2	
15B	N3102410	SEAL DUST			2	2	
16	N3100290	SNAP RING	2	2	2	2	
17	N8100680	UNDER BRACKET COMP.	1				
17A	N8101500	UNDER BRACKET COMP.		1	1	1	
18	N3102420	OIL SEAL	2	2	2	2	
19	N8101260	LEG OUTER LH (329mm Length)	1				
19A	N8101580	LEG OUTER LH (310mm Length)	1				
19B	N5101829	LEG OUTER LH		1		1	(spokewheel)
19C	N2100240	LEG OUTER TUBE LH			1	1	(mag wheel)
20	N8101220	PACKING ALLEN BOLT	2	2	2	2	
21	N8101230	HEX ALLEN BOLT	2	2	2	2	cyclee
22	N8101360	SHIM			2	2	
23	N8101290	LEG ASSY. LH	1				(OLD)
23A	N8100950	LEG ASSY. LH	1				(NEW)
23B	N8101020	LEG ASSY. LH		1		1	(spokewheel)
23C	N3102340	LEG ASSY. LH			1	1	(mag wheel)
24	N8101300	LEG ASSY. RH	1				
24A	N8100960	LEG ASSY. RH	1				
24B	N8101040	LEG ASSY. RH		1		1	(spokewheel)
24C	N3102350	LEG ASSY RH			1	1	(magwheel)

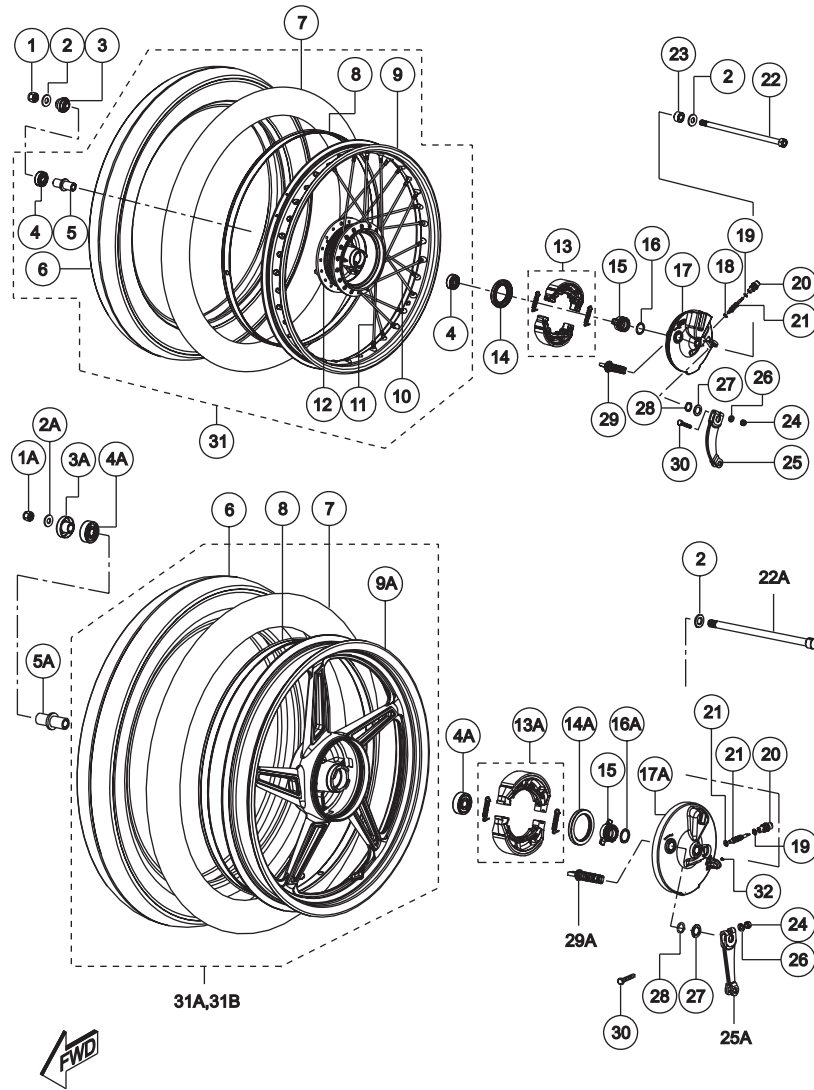
FIG.NO. 27

FRONT WHEEL ASSEMBLY

REF. NO.	PART NO.	DESCRIPTION	NO. OFF				REMARKS	
			STAR BASIC	STAR SPORT				
				OLD	ALLOY	REF.		
1	K200570	U NUT 10x1.25	1	1				
1A	0334158	U - NUT M12x1.25			1	1		
2	0335628	PUNCHED WASHER 10.5x24x2.3	2	2				
2A	0335538	PUNCHED WASHER 12.5x22x2.3			2	2		
3	N5110890	SPACER COMP.	1	1		1		
3A	N3110390	SPACER COMP.				1	1	
4	N8110550	BALL BEARING 10x30x9	2	2				
4A	N3200010	BALL BEARING 12x37x12				2	2	
5	N5110210	SPACER COMP. FRONT HUB	1	1				
5A	N2110190	SPACER COMP. FRONT HUB				1	1	
6	M1110230	TYRE COMP. FRONT 2.75 " x 18	1	1	1	1		
7	N3110430	TUBE ASSY. 2.5 / 2.75 - 18	1	1	1	1		
8	N3110450	PROTECTOR WHEEL IN TUBE	1	1	1	1		
9	N5110820	RIM WHEEL 1.6 x 18	1	1				
9A	N9111080	ALLOY WHEEL FRONT OLD				1	1	
9B	N8111800	ALLOY WHEEL FRONT NEW				1	1	N.I
10	N5320520	SPOKE & NIPPLE SET INNER (18Nos)	1	1		1	**	
11	N5320530	SPOKE & NIPPLE SET OUTER(18 Nos)	1	1		1	**	
12	N8110110	HUB COMP. FRONT WHEEL	1	1				
13	N5110250	BRAKE SHOE SET 110 Dia (25mm)	1	1				
13A	1110020	SHOE SET BRAKE DIA 130				1	1	
14	N8110830	OIL SEAL FRONT BRAKE PANEL	1	1				
14A	N3110260	SEAL FRONT BRAKE PANEL OIL				1	1	
15	N2110650	GEAR SPEEDOMETER 24T	1	1	1	1		
16	N5110790	THRUST WASHER SPEEDO PINION	1	1				
16A	N3110280	WASHER SPEEDOMETER GEAR TR.				1	1	

** - REF. KIT & KIT CONTENTS

FIG.No. 27



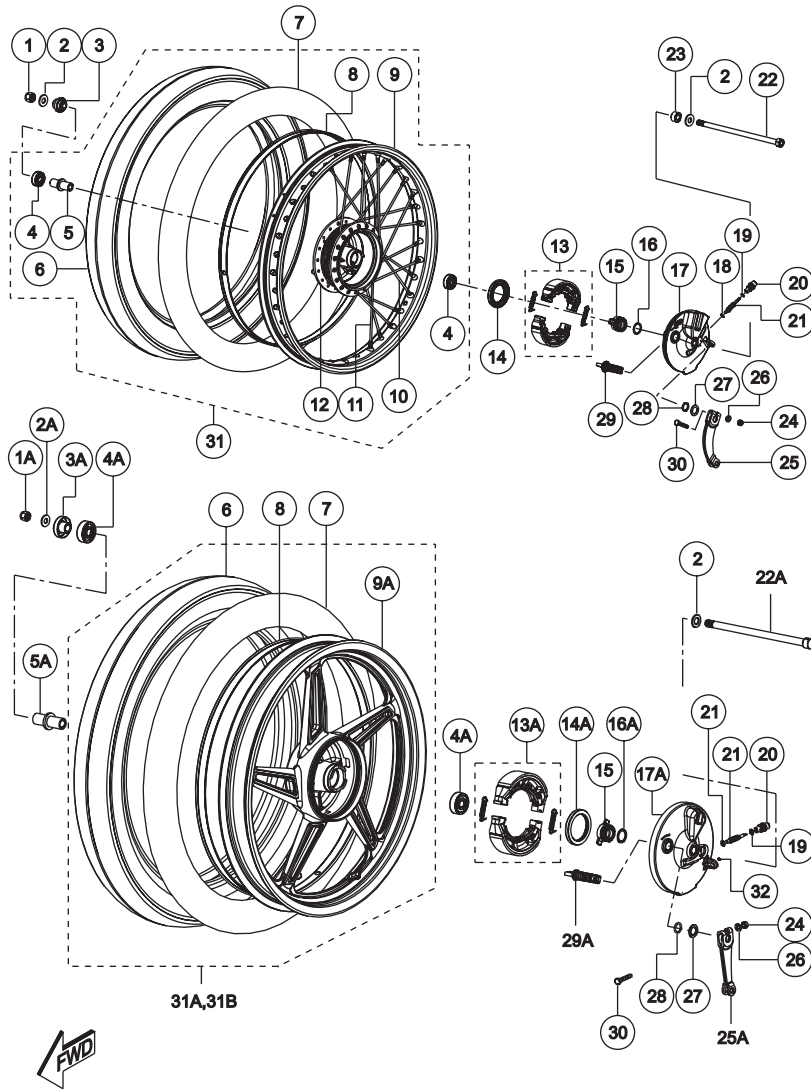
FRONT WHEEL ASSEMBLY

FIG.NO. 27

FRONT WHEEL ASSEMBLY

REF. NO.	PART NO.	DESCRIPTION	NO. OFF				REMARKS
			STAR BASIC	STAR SPORT			
				OLD	ALLOY	REF.	
17	N5110920	PANEL COMP. BRAKE FRONT	1	1			
17A	N2110030	PANEL COMP. FRONT BRAKE			1	1	
18	N3110120	SHIM 5.7x10x0.4 SPEEDO PINION	1	1	1	1	
19	0335078	SHIM 5.1x9x0.4 SPEEDOMETER	1	1	1	1	
20	N3110460	BUSHING SPEEDOMETER PINION	1	1	1	1	
21	N3110110	PINION SPEEDOMETER	1	1	1	1	
22	N5111200	AXLE COMP. FRONT 10x22x3.5	1	1			
22A	N3110990	AXLE FRONT			1	1	
23	N5110900	SPACER FRONT WHEEL	1	1		1	
24	420305700	HEX NUT M6	1	1	1	1	
25	N5110630	LEVER FRONT BRAKE CAM	1	1			
25A	N3110400	LEVER FRONT BRAKE CAM FRONT			1	1	
26	0335578	PUNCHED WASHER 6.5x13x1	1	1	1	1	
27	0335698	PUNCHED WASHER 14.5x22x1.6	1	1	1	1	
28	0178030	O RING CAM BRAKE	1	1	1	1	
29	K3110470	CAM BRAKE	1	1			
29A	N2110130	CAM BRAKE			1	1	
30	0331248	HEX BOLT M6x33	1	1	1	1	
31	N8111020	WHEEL ASSY. FRONT SPOKE	1	1		1	
31A	N8111310	WHEEL ASSY. FRONT ALLOY			1	1	
32	0332346	SCREW SPEEDO MET. PINION BUSH			1	1	

FIG.No. 27



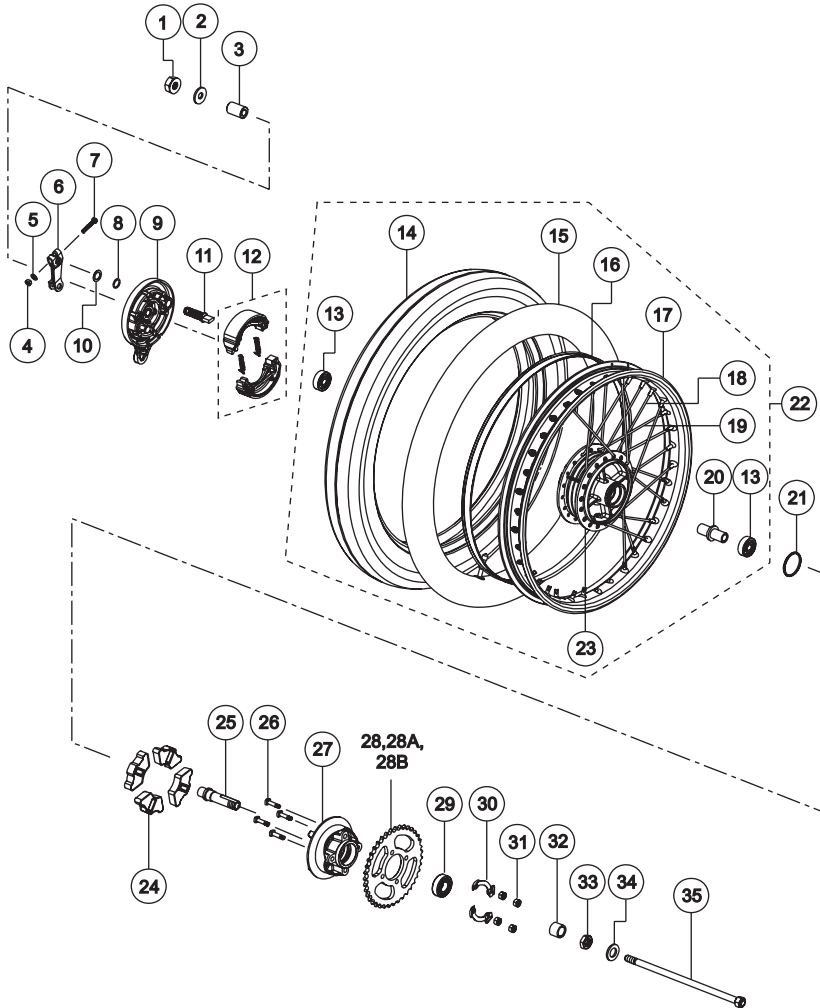
FRONT WHEEL ASSEMBLY

REAR WHEEL ASSEMBLY (SPOKE)

REF. NO.	PART NO.	DESCRIPTION	NO. OFF				REMARKS
			STAR BASIC	STAR SPORT		REF.	
				OLD	ALLOY		
1	S1200790	CASTLE NUT M12x1.25	1	1		1	
2	N3200080	PUNCHED WASHER 12.5x32x3.2	1	1		1	
3	N3110030	SPACER RH REAR AXLE	1	1		1	
4	420305700	HEX NUT M6	1	1		1	
5	0335578	PUNCHED WASHER 6.5x13x1	1	1		1	
6	N5110740	LEVER REAR BRAKE CAM	1	1		1	
7	0331248	HEX BOLT M6x33	1	1		1	
8	0178030	O RING CAM BRAKE	1	1		1	
9	N2110290	BRAKE PANEL REAR COMP.	1	1		1	
10	N3200070	PUNCHED WASHER 14.5x22.1.6	1	1		1	
11	S1111710	CAM BRAKE	1	1		1	
12	3171090	BRAKE SHOE SET 110 DIA	1	1		1	
13	N3200010	BALL BEARING 12x37x12	2	2		2	
14	M1110300	TYRE 2.75 x 18 ATT 150	1	1		1	
15	N3110440	TUBE ASSY. 2.5" / 2.75" - 18	1	1		1	
16	N3110450	PROTECTOR WHEEL INNER TUBE	1	1		1	
17	N5110820	RIM WHEEL 1.6" x 18"	1	1		1	
18	N5320520	SPOKE & NIPPLE SET INNER (18 No.)	1	1		1	**
19	N5320530	SPOKE & NIPPLE SET OUTER (18No.)	1	1		1	**
20	N2110190	SPACER COMP. FRONT HUB	1	1		1	
21	N2110670	WATER SEAL RING	1	1		1	
22	N8110960	WHEEL ASSY. REAR	1	1		1	
23	N2110250	HUB COMP. REAR WHEEL	1	1		1	
24	N2110360	ABSORBER SHOCK REAR HUB	4	4		4	
25	N3110020	SHAFT MTG. REAR SPROCKET DR.	1	1		1	

** - REF. KIT & KIT CONTENTS

FIG.No. 28

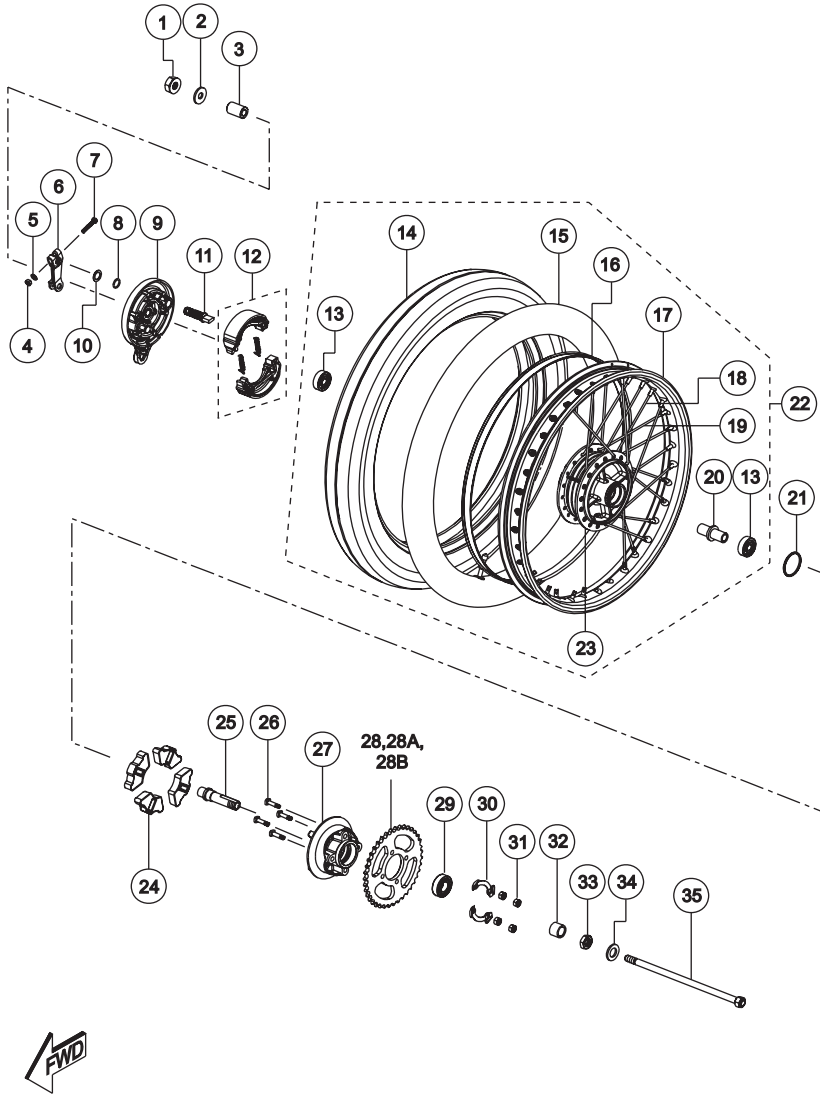


REAR WHEEL ASSEMBLY (SPOKE)

FIG.NO. 28

REAR WHEEL ASSEMBLY (SPOKE)

FIG.No. 28



REAR WHEEL ASSEMBLY (SPOKE)

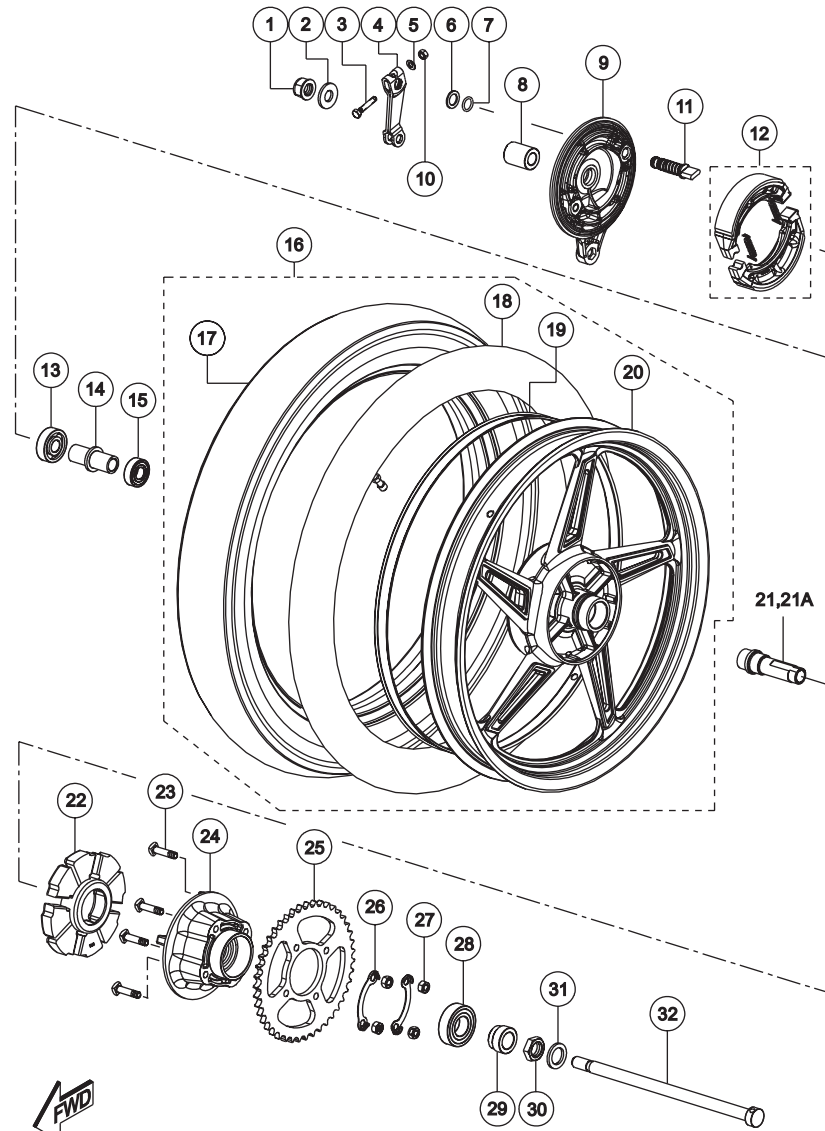
REF. NO.	PART NO.	DESCRIPTION	NO. OFF				REMARKS
			STAR BASIC	STAR SPORT		REF.	
				OLD	ALLOY		
26	0331318	BOLT REAR SPROCKET	4	4		4	
27	N2110370	DRUM REAR SPROCKET MTG.	1	1		1	
28	N8111000	SPROCKET 44T	1*				
28A	N5110410	SPROCKET 41T	1	1			
28B	N5081020	SPROCKET 40T (SPOKE WHEEL)					1
29	N3200090	BALL BEARING 20x42x12	1	1		1	
30	N3110470	WASHER SPROCKET	2	2		2	
31	0334548	HEX NUT M8	4	4		4	
32	N2110390	SPACER LH REAR AXLE	1	1		1	
33	J200030	HEX NUT M18	1	1		1	
34	N3200020	PUNCHED WASHER 18.5x30x3.2	1	1		1	
35	N3110980	AXLE COMP. REAR	1	1		1	
36	N8320100	CHAIN & SPROCKET KIT (14/44/110L)	1	1			**
36B	N8332840	CHAIN & SPROCKET KIT(13/40/110L)				1	**

** - REF. KIT & KIT CONTENTS

* - APPLICABLE FOR THE VEHICLES PRODUCE BEFORE JULY 2005

REAR WHEEL ASSEMBLY (ALLOY)

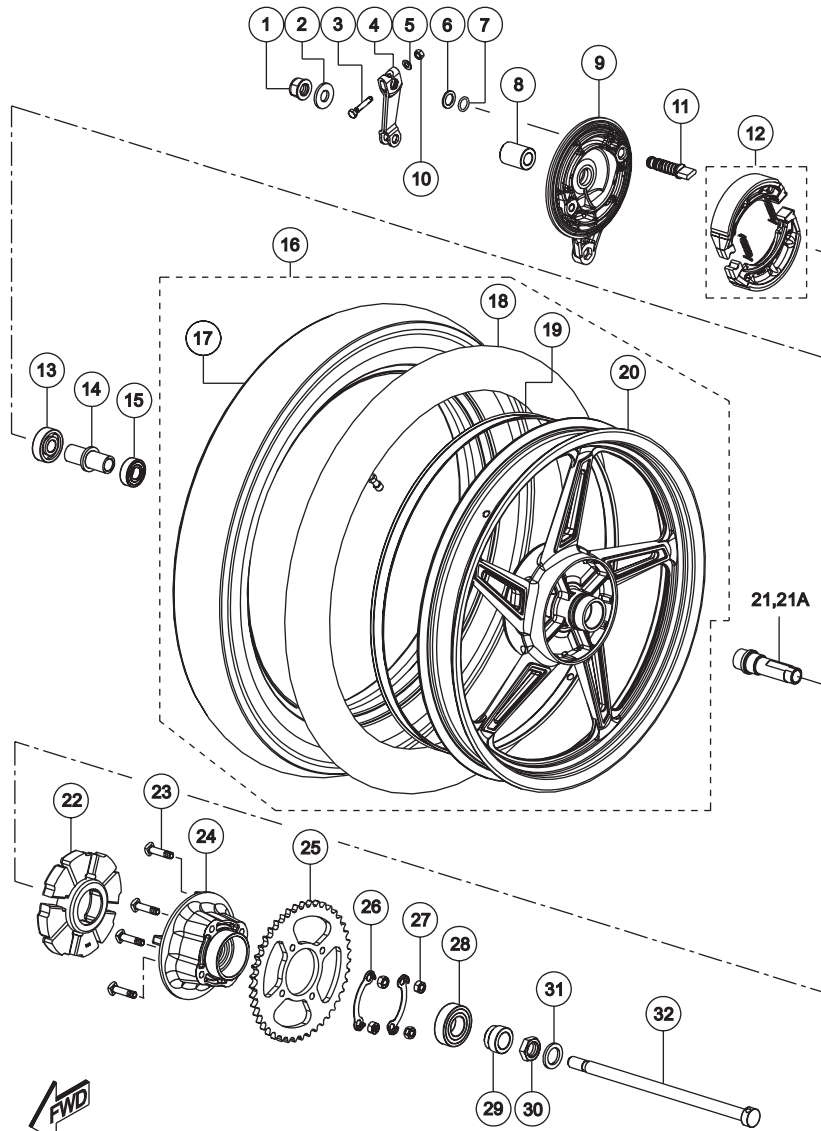
FIG.No. 28A



REAR WHEEL ASSEMBLY (ALLOY)

REF. NO.	PART NO.	DESCRIPTION	NO. OFF			REMARKS	
			STAR BASIC	STAR SPORT			
				OLD	ALLOY		REF.
1	K200410	U NUT M14x1.5			1	1	
2	M7200020	WASHER 14.5x32x3.2			1	1	
3	0331248	HEX BOLT M6x1x33			1	1	
4	M7110770	LEVER BRAKE CAM NEW			1	1	
5	0335578	PUNCHED WASHER 6.5x13x1.0			1	1	
6	0335698	PUNCHED WASHER 14.5x22x1.6			1	1	
7	0178030	O RING BRAKE CAM-BR			1	1	
8	M7110750	SPACER REAR AXLE RH			1	1	
9	1112450	PANEL BRAKE REAR			1	1	
10	420305700	HEX NUT M6			1	1	
11	N2110130	CAM BRAKE			1	1	
12	1110020	BRAKE SHOE SET DIA130			1	1	
13	1339510	BALL BEARING 15x42x13			1	1	
14	1182200	SPACER COMP. FRONT HUB			1	1	
15	1339520	BALL BEARING 15x35x11			1	1	
16	N8111330	WHEEL ASSY. REAR ALLOY			1	1	
17	M1110300	TYRE REAR 3.00X18 ATT150			1	1	
17	M1110300	TYRE REAR 3.00X18 ATT150			1	1	
18	N3110440	TUBE ASSY.			1	1	
19	N3110450	PROTECTOR WHEEL INNER TUBE			1	1	
20	M7111630	ALLOY WHEEL REAR OLD			1	1	
20A	N8111810	ALLOY WHEEL REAR NEW			1	1	
21	N9110690	SHAFT RR SPROCKET MTG. DRUM			1	1	
22	1181150	ABSORBER RR WHEEL HUB SHOCK			1	1	
23	0331318	BOLT REAR SPROCKET			4	4	

FIG.No. 28A



REAR WHEEL ASSEMBLY (ALLOY)

REAR WHEEL ASSEMBLY (ALLOY)

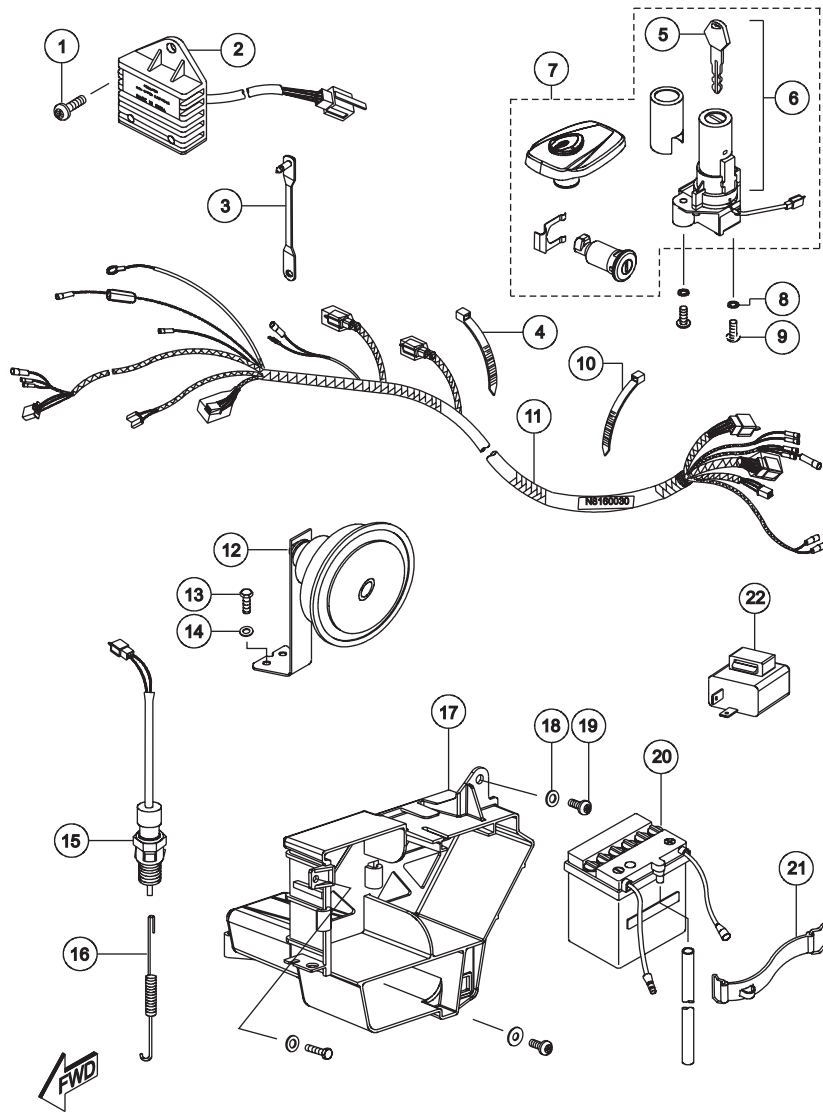
REF. NO.	PART NO.	DESCRIPTION	NO. OFF			REMARKS	
			STAR BASIC	STAR SPORT			
				OLD	ALLOY		REF.
24	1181070	DRUM REAR SPROCKET - 130 DIA			1	1	
25	1182040	SPROCKET REAR 41T			1		
25A	M7080810	SPROCKET REAR 40T				1	
26	N3110470	WASHER REAR SPROCKET			2	2	
27	0334548	HEX NUT M8			4	4	
28	1339120	BALL BEARING 25x52x15			1	1	
29	M7110740	SPACER REAR AXLE LH			1	1	
30	0334640	HEX NUT M20			1	1	
31	M7200010	PUNCHED WASHER 21.6x32x3.2			1	1	
32	N9110700	AXLE COMP. REAR			1	1	
33	N8322830	CHAIN & SPROKET KIT (13 X 40 / 110L)			1		*
33A	N8522850	CHAIN & SPROKET KIT (13 X 40 / 110L)				1	*

** - REF. KIT & KIT CONTENTS

FIG.NO. 29

WIRING HARNESS & BATTERY ASSY.

FIG.No. 29

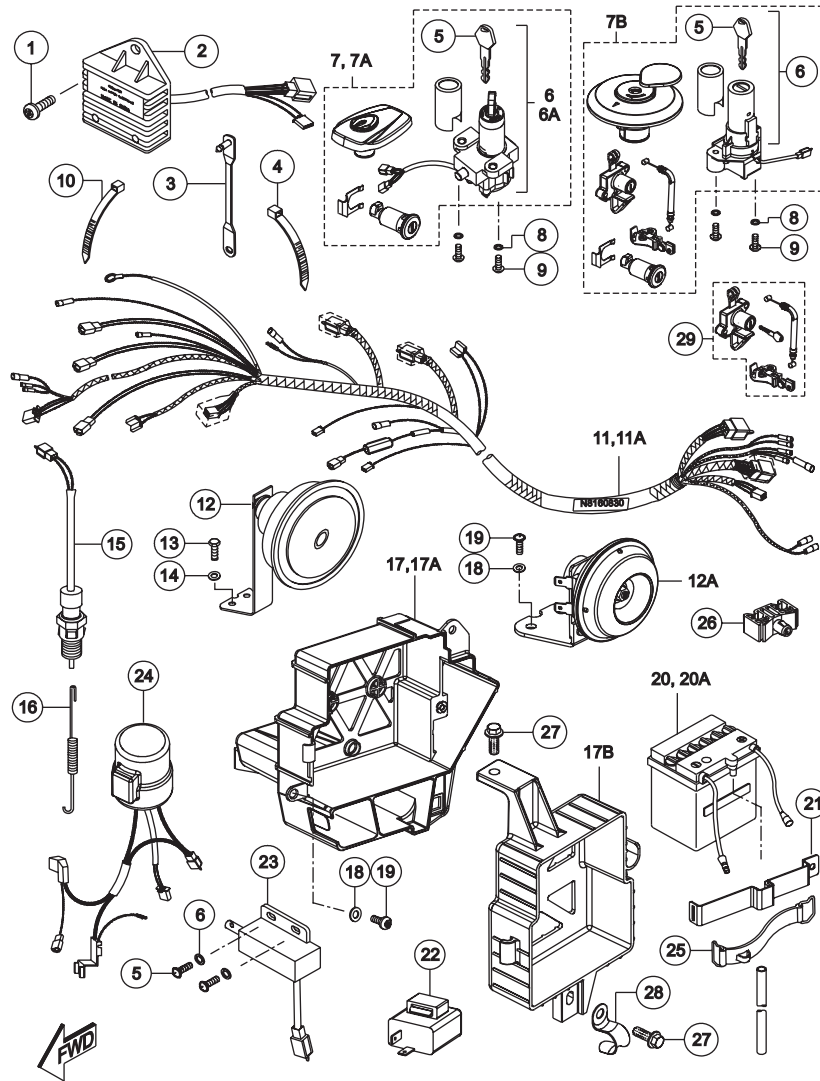


WIRING HARNESS & BATTERY ASSY.

REF. NO.	PART NO.	DESCRIPTION	NO. OFF				REMARKS
			STAR BASIC	STAR SPORT		REF.	
				OLD	ALLOY		
1	420518700	REC PAN HEAD SCREW M6x20	1	1	1		
2	N3060120	REGULATOR 12V	1	1	1		Replaces N8060190
3	0258570	CLAMP WIRING HARNESS	1	1	1		
4	N3160330	CLAMP WIRING HARNESS	1	1	1		
5	N5210590	BLANK KEY (ADEEP MAKE)	1	1	1		
5A	N5321340	BLANK KEY (SLD MAKE)	1	1	1		
6	N5160230	IGNITION SWITCH CUM STEE. LOCK	1	1	1		
7	N5210080	LOCK SET	1	1	1		
8	0330408	WAVE SPRING WASHER	2	2	2		
9	K200700	CRR PAN HD SCREW M6x25	2	2	2		
10	N3160340	CLAMP WIRING HARNESS	3	3	3		
11	N8160030	WIRING HARNESS	1				
11A	N8160410	WIRING HARNESS (Without FG)		1			N.I
11B	N8160630	WIRING HARNESS (with prov.for FG)		1	1		N.I
12	N8160010	HORN 12V DC	1	1	1		
13	420452700	HEX SCREW M6x12	2	2	2		
14	0330408	WAVE SPRING WASHER M6	2	2	2		
15	N3160250	SWITCH STOP LAMP REAR	1	1	1		
16	N8111110	SPRING SWITCH STOP LAMP	1	1	1		
17	N8121560	BATTERY HOLDER	1	1	1		
18	0335608	PUNCHED WASHER 6.5x16x1.2	2	2	2		
19	0332275	SCREW CRPH M6x16	2	2	2		
20	1097470	BATTERY 12V 2.5AH (UNCHARGED)	1	1	1		
21	N3160060	BAND BATTERY	1	1	1		
22	N9160380	ELECTRONIC FLASHER UNIT	1	1	1		(Replaces S1060300)

** - REF. KIT & KIT CONTENTS

FIG.No. 29A



WIRING HARNESS & BATTERY ASSY.

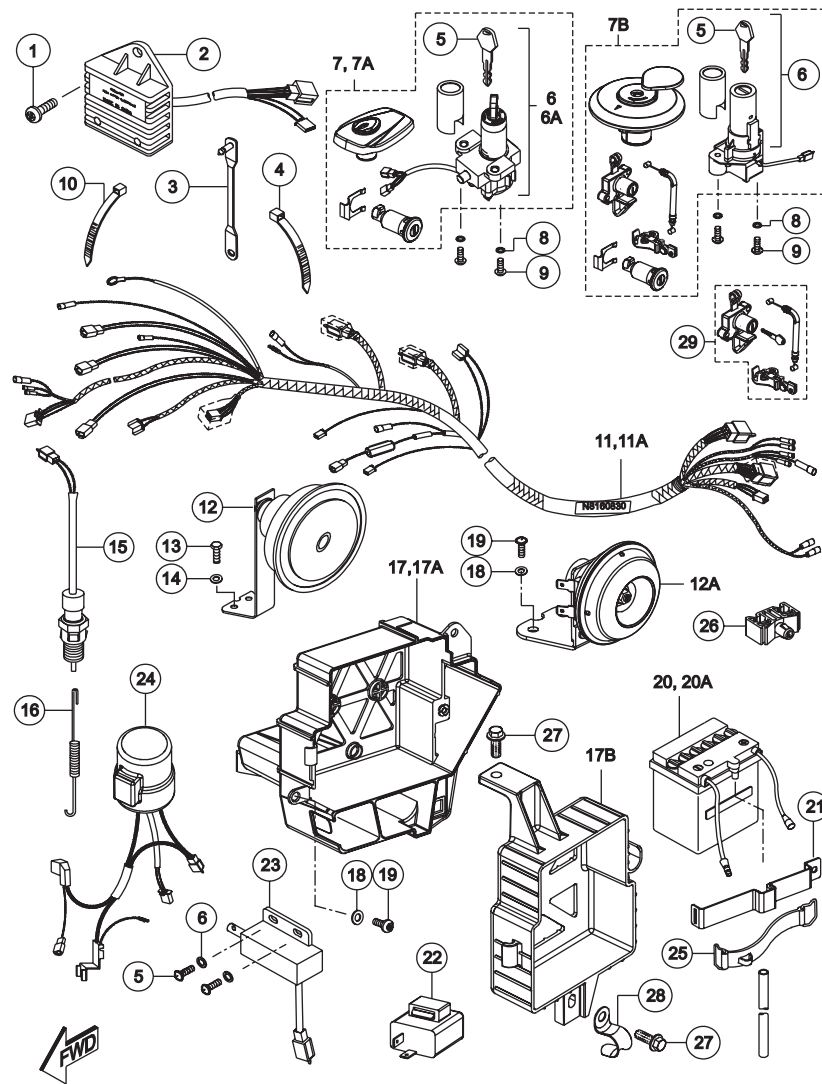
WIRING HARNESS & BATTERY ASSY.

REF. NO.	PART NO.	DESCRIPTION	NO. OFF			REMARKS	
			STAR BASIC	STAR SPORT			
				OLD	ALLOY	REF.	
1	420518700	REC PAN HEAD SCREW M6x20				1	
2	N3060120	REGULATOR ASSY. 12V				1	KS
2A	N9060290	REGULATOR ASSY. ES				1	ES
3	0258570	CLAMP WIRING HARNESS				1	
4	N3160330	CLAMP WIRING HARNESS				1	
5	N5120590	BLANK KEY (ADEEP)				1	
5A	N5321340	BLANK KAY (SLD MAKE)				1	
6	N5160230	STEERING / IGNITION LOCK - KS				1	Ref. Illus.
6A	N8160490	STEERING / IGNITION LOCK - ES				1	
7	N5210080	LOCK SET KS				1	
7A	N8211510	LOCK SET ES				1	Ref. Illus. Fig.no.29
8	0330408	WAVE SPRING WASHER				2	
9	K200700	CRR PAN HD SCREW M6x25				2	
10	N3160340	CLAMP WIRING HARNESS				3	
11	N8160730	WIRING HARNESS KS				1	
11A	N8160830	WIRING HARNESS ES				1	
12	N8160010	HORN 12V DC				1	
13	420452700	HEX SCREW M6x12				2	
14	0330408	WAVE SPRING WASHER M6				2	

ILLUS. - ILLUSTRATION

N.I - NOT ILLUSTRATED

FIG.No. 29A



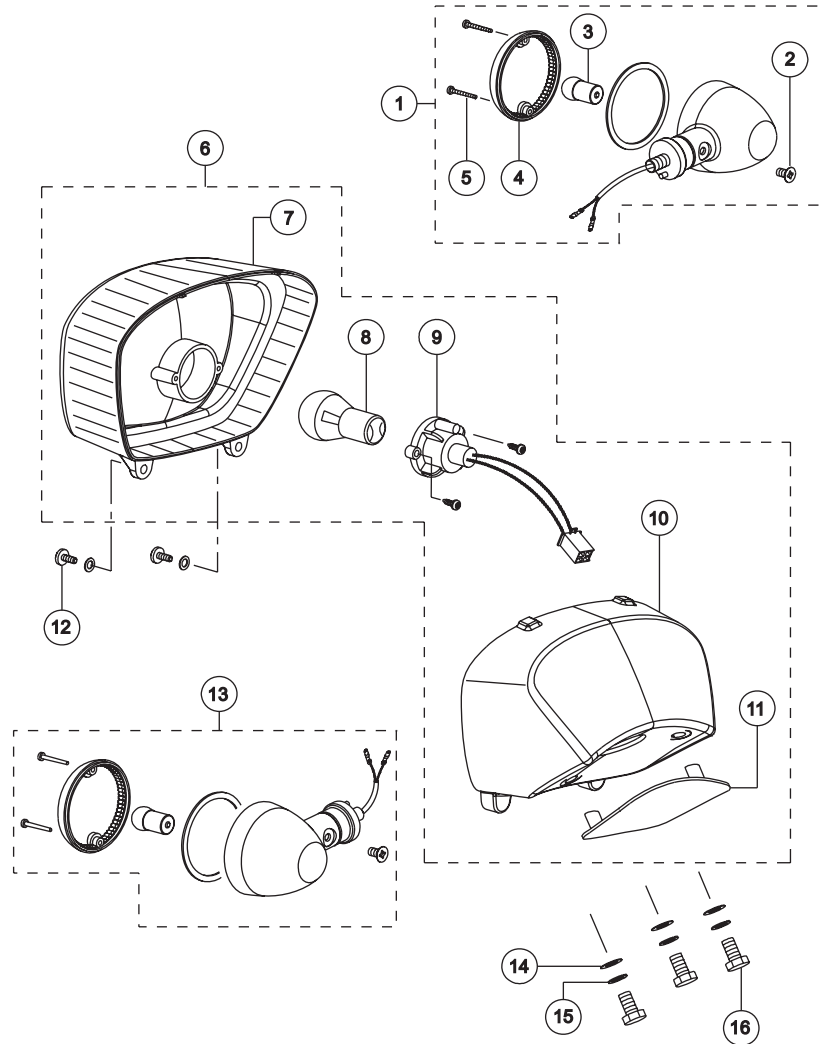
WIRING HARNESS & BATTERY ASSY.

WIRING HARNESS & BATTERY ASSY.

REF. NO.	PART NO.	DESCRIPTION	NO. OFF			REMARKS	
			STAR BASIC	STAR SPORT			
				OLD	ALLOY		REF.
15	N3160250	SWITCH STOP LAMP RR				1	
16	N8111110	SPRING SWITCH STOP LAMP				1	
17	N8121560	BATTERY HOLDER KS				1	
17A	N8122830	BATTERY HOLDER ES				1	
18	0335608	PUNCHED WASHER 6.5x16x1.2				2	
19	0332275	SCREW CRPH M6x16				2	
20	K06012000	BATTERY 12V 2.5AH(UNCHARGED)				1	
20A	1097470	BATTERY UNCHARGED 12V 2.5AH				1	
21	N8122930	BRKT. BAND BATTERY HOLDER ES				1	
22	N9160380	ELECTRONIC FLASHER UNIT				1	(Replace S1060300)
23	N3160140	THROTTLE SWITCH KS/ES				1	
24	N8160520	STARTER RELAY ES				1	

REAR COMBINATION LAMP ASSY.

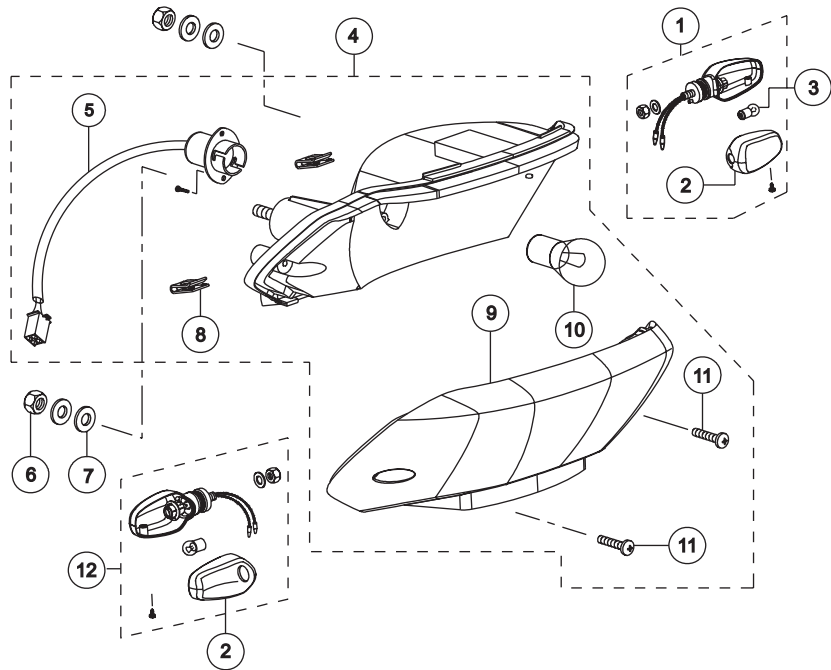
FIG.No. 30



REAR COMBINATION LAMP ASSY.

REF. NO.	PART NO.	DESCRIPTION	NO. OFF			REMARKS
			STAR BASIC	STAR SPORT		
				OLD	ALLOY	
1	N8160090	TURN SIGNAL LAMP ASSY. RR LH	1			
2	N8320710	SPECIAL SCREW M6x10	2			
3	N3160230	BULB TURNSIGNAL LAMP	2			
4	N8160170	LENS TURNSIGNAL LAMP	2			
5	N8320700	SCREW TSL	4			
6	N8160020	REAR COMBINATION LAMP	1			
7	N8160110	LENS RC LAMP	1			
8	N3160520	BULB RC LAMP 12V 10/5W	1			
9	N2160120	BULB HOLDER REAR LAMP	1			
10	N8160120	HOUSING RC LAMP	1			
11	N8320720	RUBBER CUSHION RC LAMP	1			
12	0332038	CRR PAN HD SCREW M4x8	2			
13	N8160080	TURN SIGNAL LAMP ASSY. REAR RH	1			
14	420008700	PUNCHED WASHER A6.6	3			
15	0330408	WAVE SPRING WASHER M6	3			
16	420462700	HEX SCREW M6x20	3			

FIG.No. 30A



REAR COMBINATION LAMP ASSY.

FIG.NO. 30A

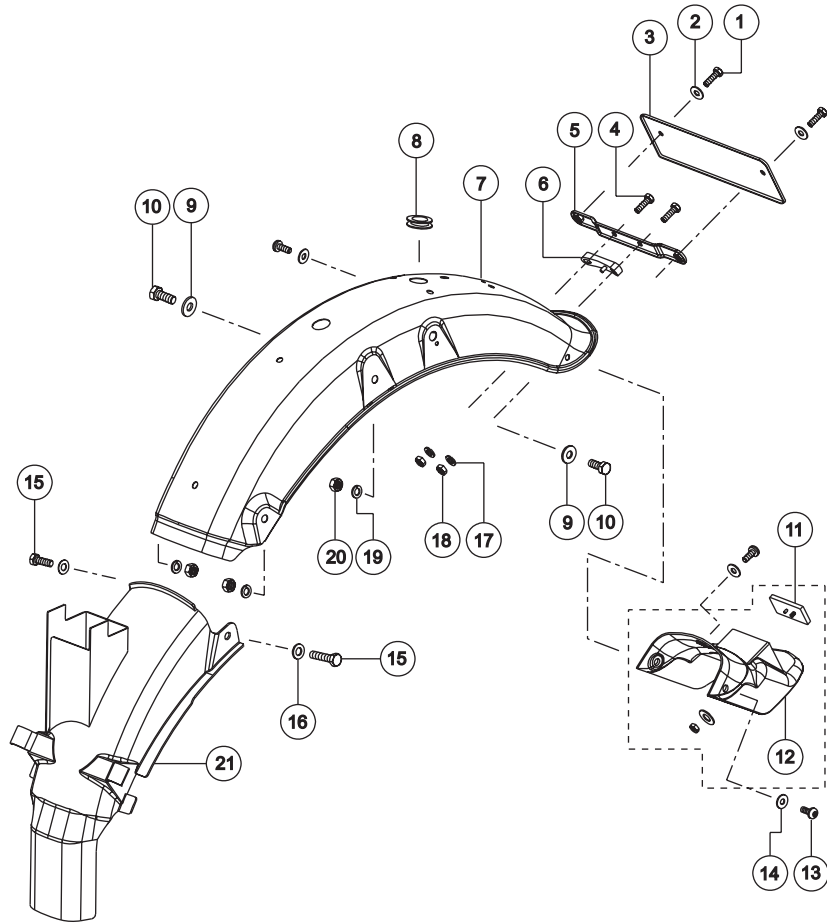
REAR COMBINATION LAMP ASSY.

REF. NO.	PART NO.	DESCRIPTION	NO. OFF			REMARKS	
			STAR BASIC	STAR SPORT			
				OLD	ALLOY		REF.
1	N8160310	TURN SIGNAL LAMP ASSY. RR RH		1	1	1	
2	N8321190	LENS & REFLECTOR UNIT		2	2	2	
3	N3160210	BULB 12V		2	2	2	
4	N8160230	LAMP ASSY. REAR COMBINATION		1	1	1	
5	N3060510	BULB HOLDER REAR COMBI. LAMP		1	1	1	
6	420305700	HEX NUT M6		2	2	2	
7	0335608	PUNCHED WASHER 6.5x16x1.2		2	2	2	
8	7130020	RETAINER CLIP PANEL		2	2	2	
9	N8160240	LENS RC LAMP		1	1	1	
10	K3160750	BULB RC LAMP 12V 21/5W		1	1	1	
11	M1201000	CRR PAN HEAD SCREW M4x20		2	2	2	
12	N8160300	TURN SIGNAL LAMP ASSY. RR LH		1	1	1	

FIG.NO. 31

REAR FENDER ASSEMBLY

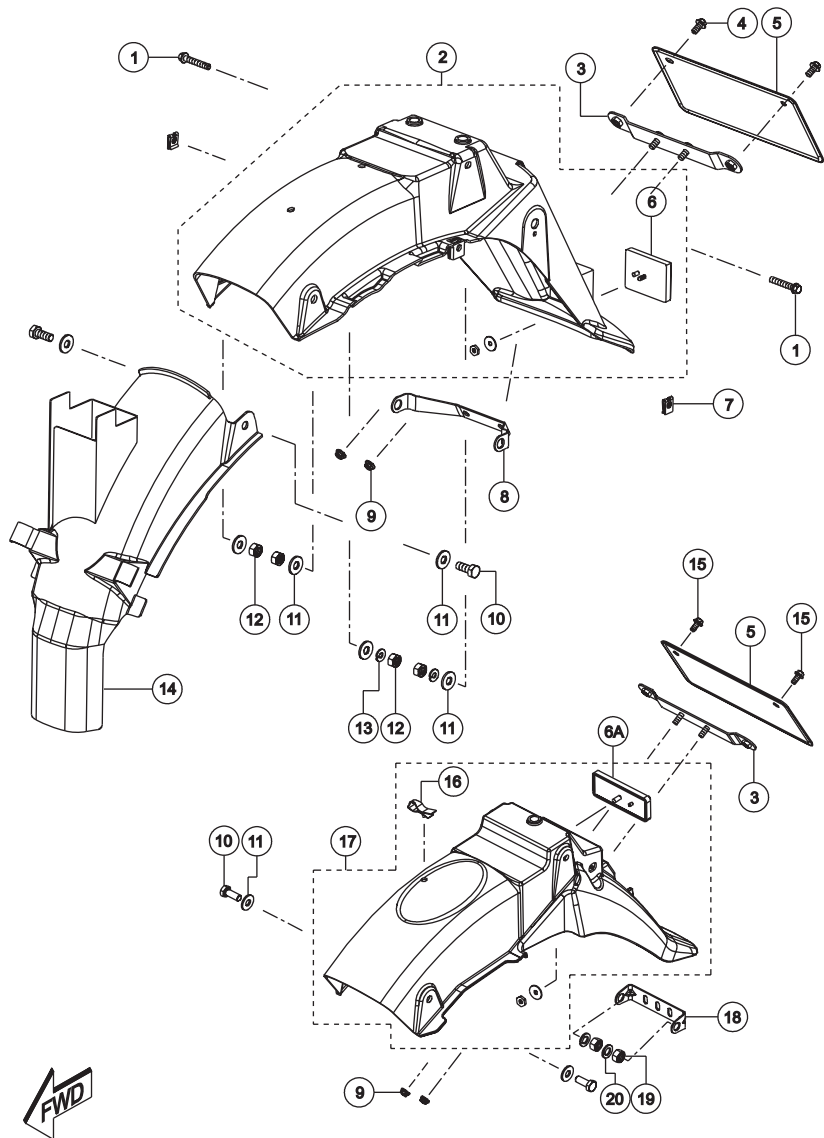
FIG.No. 31



REAR FENDER ASSEMBLY

REF. NO.	PART NO.	DESCRIPTION	NO. OFF			REMARKS
			STAR BASIC	STAR SPORT		
				OLD	ALLOY	
1	420452700	HEX SCREW M6x12	2			
2	420001700	PUNCHED WASHER A6.6	2			
3	N8121710	LICENCE PLATE REAR	1			
4	420462700	HEX SCREW M6x20	2			
5	N8121700	BRKT COMP. LIC PLATE RR MTG.	1			
6	N8121570	PAD FENDER REAR	1			
7	N8121340	BODY COMP. REAR FENDER REAR	1			
8	0228060	GROMMET RR COMB. LAMP	1			
9	0336018	PUNCHED WASHER	2			
10	420454700	HEX SCREW M8x16	2			
11	N3160240	REFLEX REFLECTOR	1			
12	N8220010	MUD FLAP REAR	1			
13	0332275	CRR PAN HEAD SCREW M6x16	3			
14	0335566	PUNCHED WASHER	3			
15	420454700	HEX SCREW M8X20	2			
16	0330618	PUNCHED WASHER 8.5x20x2.0	2			
17	0330408	WAVE SPRING WASHER	2			
18	420305700	HEX NUT M6	2			
19	0330318	WAVE SPRING WASHER M8	2			
20	0334548	HEX NUT M8	2			
21	N8220240	BODY FRONT FENDER REAR	1			

FIG.No. 31A

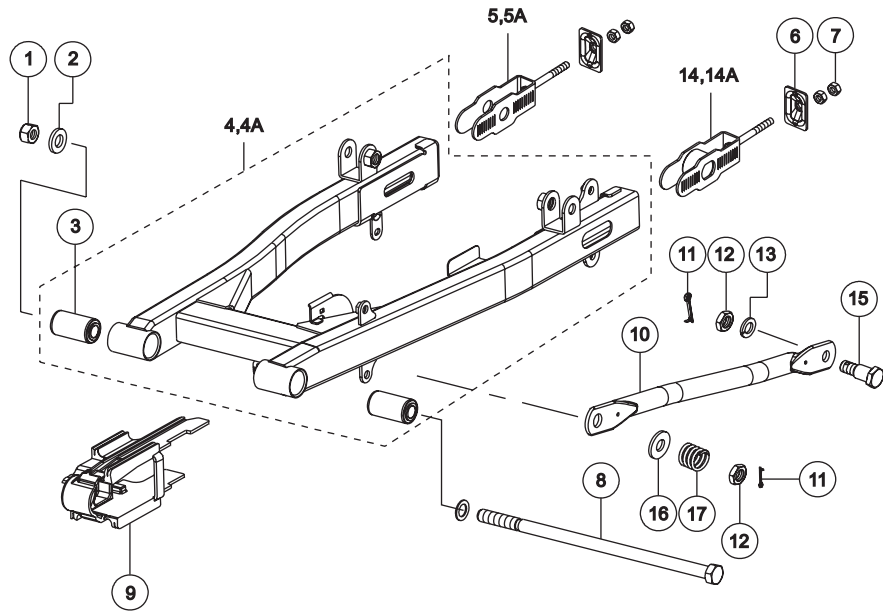


REAR FENDER ASSEMBLY

REAR FENDER ASSEMBLY

REF. NO.	PART NO.	DESCRIPTION	NO. OFF			REMARKS	
			STAR BASIC	STAR SPORT			
				OLD	ALLOY		REF.
1	N5200170	HEX FLANGE BOLT M6x35		2	2	2	
2	N8220130	FENDER ASSY. REAR		1	1	1	
3	N8220300	BRKT COMP.LICE. PLATE RR MTG.		1	1	1	
4	420452700	HEX FLANGE BOLT M6x12		2	2	2	
5	N8121710	LICENCE PLATE REAR		1	1	1	
6	8160020	REFLEX REFLECTOR		1	1	1	
7	7130020	RETAINER CLIP PANEL		2	2	2	
8	N8220390	BRKT FENDER REAR		1	1	1	
9	0334146	HEX FLANGE NUT M6		2	2	2	
10	420454700	HEX SCREW M8x20		2	2	2	
11	0336018	PUNCHED WASHER 8.5x20x2		4	4	4	
12	0334548	HEX NUT M8		2	2	2	
13	0330408	WAVE SPRING WASHER M6		2	2	2	
14	N8220240	BODY FRONT FENDER REAR		1	1	1	

FIG.No. 32



SWINGARM ASSEMBLY

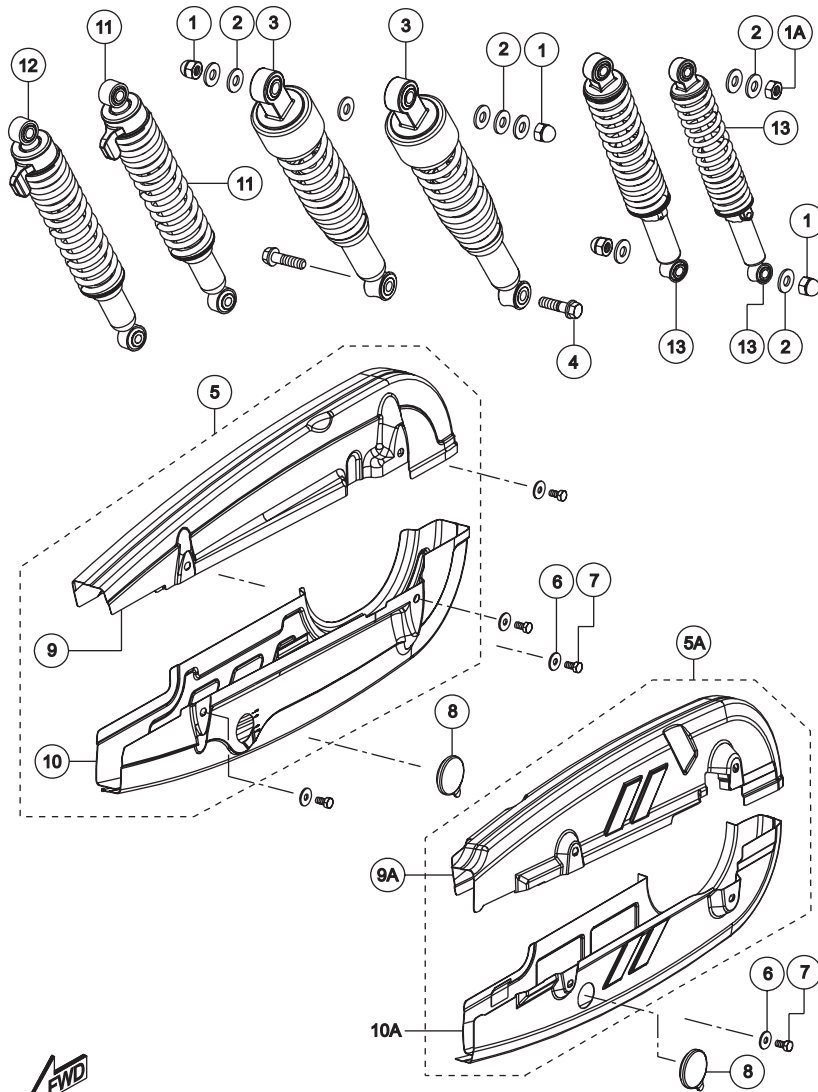
FIG.NO. 32

SWINGARM ASSEMBLY

REF. NO.	PART NO.	DESCRIPTION	NO. OFF				REMARKS
			STAR BASIC	STAR SPORT			
				OLD	ALLOY	REF.	
1	0334158	NUT REAR SWING ARM PIVOT	1	1	1	1	
2	420015700	PUNCHED WASHER 12.5x24	1	1	1	1	
3	N3090670	BUSH SWING ARM	2	2	2	2	
4	N8320040	SWING ARM ASSY. (SPOKE)	1	1		1	
4A	N3321420	SWING ARM ASSY. (ALLOY)			1	1	
5	N5091010	CHAIN ADJUSTER COMP.RH (SPOKE)	1	1		1	
5A	N9090910	CHAIN ADJ. COMP. RH (ALLOY)			1	1	
6	N5091170	CLAMP CHAIN ADJUSTER	2	2	2	2	
7	420305700	HEX NUT M6	4	4	4	4	
8	N3091280	AXLE REAR SWING ARM	1	1	1	1	
9	N8090380	BUFFER CHAINCASE DEFENCE	1	1	1	1	
10	N3090610	TORQUE LINK REAR	1	1	1	1	
11	0330048	SPLIT PIN 2x20	2	2	2	2	
12	0334218	HEX NUT M8	2	2	2	2	
13	0330318	WAVE SPRING WASHER M8	1	1	2	2	
14	N5091050	CHAIN ADJUSTER COMP. LH (SPOKE)	1	1			
14A	N9090940	CHAIN ADJUSTER COMP. LH (ALLOY)			1	1	
15	N3090700	BOLT TORQUE LINK REAR	1	1	1	1	
16	0336018	PUNCHED WASHER 8.5x20x2.0	1	1	1	1	
17	3207018	SPRING	1	1	1	1	

SHOCK ABSORBER & CHAIN COVER

FIG.No. 33



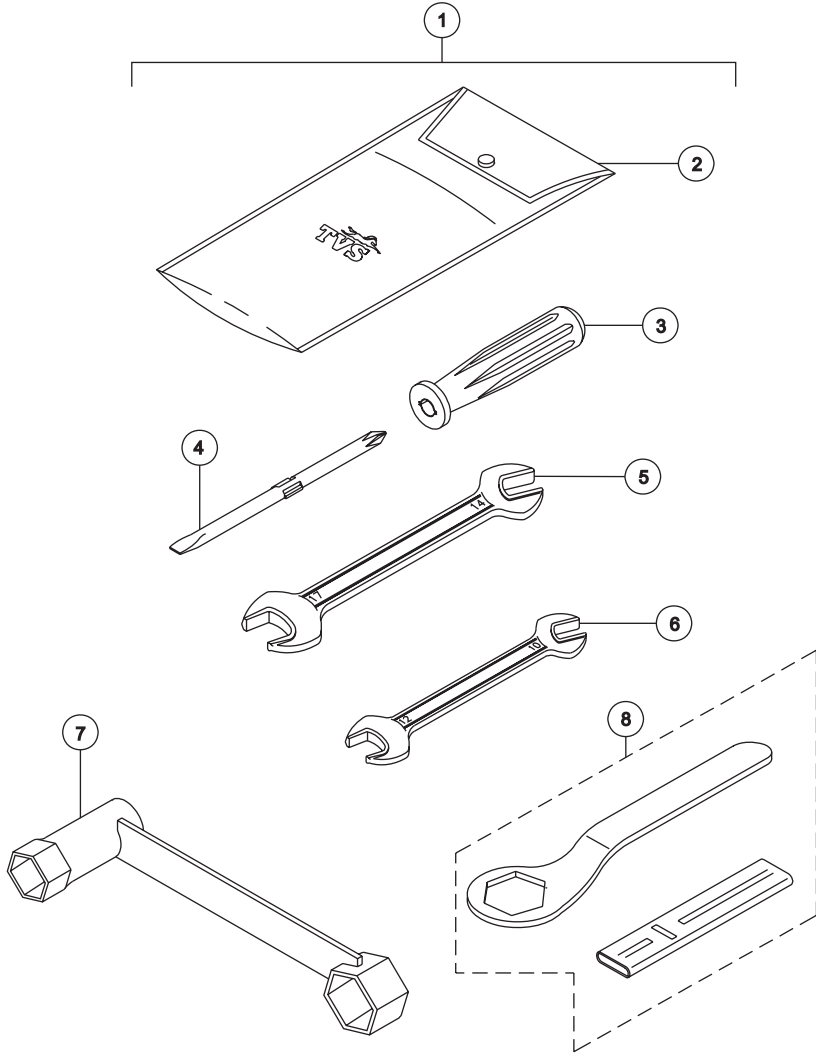
SHOCK ABSORBER & CHAIN COVER

REF. NO.	PART NO.	DESCRIPTION	NO. OFF				REMARKS
			STAR BASIC	STAR SPORT		REF.	
				OLD	ALLOY		
1	0334047	CAP NUTS	2	2	2	2	
2	0335628	PUNCHED WASHER	6	6	6	6	
3	N8090400	SHOCK ABSORBER	2				
4	N3200050	HEX FLANGE BOLT M10x1.5x36	2	2	2	2	
5	N8320050	CHAIN CASE SET	1	1	1	1	
6	420011700	PLAIN WASHER A6.4	4	4	4	4	
7	420452700	HEX SCREW M6x12	4	4	4	4	
8	409198000	DUST SEAL CHAIN COVER	1	1	1	1	
9	N8090330	CHAIN CASE COMP. UPPER	1	1	1	1	
10	N8090340	CHAIN CASE COMP. LOWER	1	1	1	1	
11	N8090360	SHOCK ABSORBER LH		1	1	1	
12	N8090280	SHOCK ABSORBER RH		1	1	1	

TOOL KIT

REF. NO.	PART NO.	DESCRIPTION	NO. OFF				REMARKS
			STAR BASIC	STAR SPORT			
				OLD	ALLOY	REF.	
1	N8210280	TOOL KIT SET	1	1	1		
1A	N8211830	TOOL KIT SET - ALLOY		1	1	1	
2	-	TOOL BAG	1	1	1	1	
3	-	GRIP DRIVER	1	1	1	1	
4	-	BIT (+) (-)	1	1	1	1	
5	-	SPANNER 14x17	1	1	1	1	
6	-	SPANNER 10x12	1	1	1	1	
7	-	BOX SPANNER 16	1	1	1	1	
8	-	RING SPANNER	1	1	1	1	

FIG.No.34



TOOL KIT

TVS STAR/SPORT/ REFRESH KIT AND KIT DETAILS

SI No.	KIT No.	KIT DESCRIPTION	MODEL APPLICABLE	KIT CONTENTS			
				SL No.	PART No.	DESCRIPTION	QTY
1	N8320190	CRANK CASE ASSY LH	STAR/ SPORT	1	N8030150	CRANKCASE-LH	1
				2	R1080950	PIPE COMP BREATHER	1
2	N8322710	CRANK CASE ASSY LH	SPORT REFRESH ES	1	N8030430	CRANKCASE COMP LH	1
				2	R1080950	PIPE BREATHER	1
3	N8320200	CRANK CASE ASSY RH	STAR/SPORT	1	N8030170	CRANKCASE RH	1
				2	N2030219	PLUG OIL HOLE	2
4	N8322700	CRANK CASE ASSY RH	SPORT REFRESH	1	N8030510	CRANKCASE COMP RH	1
				2	N2030219	PLUG OIL HOLE	1
				3	M7081870	BEARING BUSH CAM GEAR SHIFT	1
5	N8320130	CYLINDER BLOCK & PISTON KIT KS	STAR/SPORT/ REFRESH	1	N8010180	CYLINDER BLOCK KS	1
				2	N5320410	PISTON KIT STD	1
				3	N8010290	GASKET CYLINDER HEAD	1
				4	N8010300	GASKET CYLINDER	1
6	N8322720	CYLINDER BLOCK & PISTON KIT ES	SPORT REFRESH ES	1	N8010660	CYLINDER BLOCK ES	1
				2	N5320410	PISTON KIT STD	1
				3	N8010290	GASKET CYLINDER HEAD	1
				4	N8010300	GASKET CYLINDER	1
7	N5320410	PISTON KIT STD	STAR/SPORT/ REFRESH	1	N5010490	PISTON DIA STD	1
				2	N5320440	RING SET STD	1
				3	N2010690	PISTON PIN	1
				4	N2200340	CIRCLIP	2
8	N5320420	PISTON KIT I O/S	STAR/SPORT/ REFRESH	1	N5320010	PISTON I O/S	1
				2	N5320450	RING SET I O/S	1
				3	N2010690	PISTON PIN	1
				4	N2200340	CIRCLIP	2

TVS STAR/SPORT/ REFRESH KIT AND KIT DETAILS

SI No.	KIT No.	KIT DESCRIPTION	MODEL APPLICABLE	KIT CONTENTS			
				SL No.	PART No.	DESCRIPTION	QTY
9	N5320430	PISTON KIT II O/S	STAR / SPORT / REFRESH	1	N5320020	PISTON II O/S	1
				2	N5320460	RING SET II O/S	1
				3	N2010690	PISTON PIN	1
				4	N2200340	CIRCLIP	2
10	N5320440	RING SET PISTON STD	STAR/SPORT/ REFRESH	1	N5010520	RING PISTON TOP STD	1
				2	N5010530	RING PISTON BOTTOM STD	1
				3	N5010540	OIL RING SET STD	1
11	N5320450	RING SET PISTON I O/S	STAR/SPORT/ REFRESH	1	N5320030	RING PISTON TOP I O/S	1
				2	N5320050	RING PISTON BOTTOM I O/S	1
				3	N5320070	OIL RING SET I O/S	1
12	N5320460	RING SET PISTON II O/S	STAR/SPORT / REFRESH	1	N5320040	RING PISTON TOP II O/S	1
				2	N5320060	RING PISTON BOTTOM II O/S	1
				3	N5320080	OIL RING SET II O/S	1
13	N8321320	KIT OIL PUMP	SPORT REFRESH	1	N8080900	PUMP ASSY OIL	1
				2	N3202170	REC. CSK. HEAD SCREW	2
14	N5321240	KIT KICK STARTER ASSY	STAR/SPORT/ REFRESH	1	N5081330	RATCHET KICK STARTER	1
				2	N5081320	LIFTER RATCHET	1
				3	N5081370	SPRING KICK STARTER	1
				4	N5081340	SHAFT KICK STARTER	1
				5	N5081280	GUIDE KICK STARTER SPRING	1
				6	N5081360	SPRING KICK STARTER RACHET	1
				7	K3200880	SHIM 17x24x0.5	1
15	N2320640	SET PLATE CLUTCH DRIVE	STAR/SPORT /REFRESH	1	N2070150	CLUTCH PLATE DRIVE	4
16	N2320750	SET PLATE CLUTCH DRIVEN	STAR/SPORT /REFRESH	1	N2070160	CLUTCH PLATE DRIVEN	3

TVS STAR/SPORT/ REFRESH KIT AND KIT DETAILS

SI No.	KIT No.	KIT DESCRIPTION	MODEL APPLICABLE	KIT CONTENTS			
				SL No.	PART No.	DESCRIPTION	QTY
17	N3321480	FOAM KIT	STAR/ SPORT / REFRESH	1	N2040650	FILTER INNER	1
				2	N2040640	FILTER OUTER	1
				3	N2041540	FILTER ELEMENT S.A.I	1
18	N8320100	CHAIN& SPROCKET KIT NEW - 13/43/110L	STAR/ SPORT SPOKE	1	N3080370	CHAIN ASSY. 110 LINK	1
				2	N3080160	SPROCKET 14T	1
				3	N5110410	SPROCKET 44T	1
				4	N3110470	WASHER REAR SPROCKET	2
19	N8322820	CHAIN& SPROCKET KIT OLD - 14/44/112L	STAR / SPORT SPOKE	1	N8080480	CHAIN ASSY 112 LINKS	1
				2	N3080040	SPROCKET ENGINE 14T	1
				3	N8111000	SPROCKET 44T	1
				4	N3110470	WASHER REAR SPROCKET	2
20	N8322830	CHAIN& SPROCKET KIT - 13/41/110L	STAR SPORT ALLOY	1	N3080370	DRIVE CHAIN 110L	1
				2	N3080160	SPROCKET ENGINE 13T	1
				3	1182040	SPROCKET 41 T	1
				4	N3110470	WASHER REAR SPROCKET	2
21	N8322840	CHAIN& SPROCKET KIT - 13/40/110L	STAR SPORT REFRESH SPOKE	1	N3080370	DRIVE CHAIN 110L	1
				2	N3080160	SPROCKET ENGINE 13T	1
				3	N5081020	SPROCKET 40T	1
				4	N3110470	WASHER REAR SPROCKET	2
22	N8322850	CHAIN& SPROCKET KIT - 13/40/110L	STAR SPORT REFRESH ALLOY	1	N3080370	DRIVE CHAIN 110L	1
				2	N3080160	SPROCKET ENGINE 13T	1
				3	M7080810	SPROCKET 40T	1
				4	N3110470	WASHER REAR SPROCKET	2

TVS STAR/SPORT/ REFRESH KIT AND KIT DETAILS

SI No.	KIT No.	KIT DESCRIPTION	MODEL APPLICABLE	KIT CONTENTS			
				SL No.	PART No.	DESCRIPTION	QTY
23	N8320080	KIT PROP STAND	STAR/SPORT / REFRESH	1	N8121730	PROP STAND	1
				2	N8121890	SPRING PROP STAND	1
				3	N3200160	HEX NUT M8	1
				4	N9200010	HEX BOLT M8X1.25X30	1
24	N8320050	CHAIN CASE SET	STAR/SPORT/REFRESH	1	N8090340	CHAINCASE COMP LOWER	1
				2	N8090330	CHAINCASE COMP UPPER	1
25	N8320060	FOOT REST ASSY	STAR/SPORT/REFRESH	1	N8120990	BAR COMP FOOTREST FRONT	1
				2	N3122460	RUBBER FOOTREST FRONT	2
26	N5320520	SPOKE & NIPPLE SET INNER	STAR/SPORT/REFRESH	1	N5110700	SPOKE WHEEL FRONT INNER	18
				2	N3110200	NIPPLE SPOKE WHEEL	18
27	N5320530	SPOKE & NIPPLE SET OUTER	STAR/SPORT/REFRESH	1	N5110690	SPOKE WHEEL FRONT OUTER	18
				2	N3110200	NIPPLE SPOKE WHEEL	18
28	N8320070	STEERING CONE KIT	STAR/SPORT / REFRESH	1	420404000	BALL DIA 4.76	22
				2	S1101150	RACE STEERING OUTER	1
				3	S1125290	RACE STEERING INNER	1
				4	K3200450	BALL DIA 6.35	19
				5	N8120910	CONE BOTTOM	1
				6	K3100590	CUP BOTTOM	1
				7	N8120920	DUST SEAL	1